

XCEL ITEM NO.	FINISH COLOR	QTY. LUM. ARMS	MAX. ARM LENGTH (FT)	* NOMINAL MTG HEIGHT (FT)	POLE DATA										T-BASE	XCEL T-BASE PART #				
					POLE TUBE			POLE BASE			ANCHOR BOLT			FOUNDATION						
					BASE DIA. (IN)	TOP DIA. (IN)	LENGTH (FT)	GAUGE OR THK. (IN)	SQUARE "5" (IN)	BOLT CIRCLE "Y" (IN)	THK. "M" (IN)	HOLE/SLOT "Z" (IN)	DIA. "K" (IN)	LENGTH "J" (IN)			HOOK "H" (IN)	THREAD LENGTH "U" (IN)	BOLT CIRCLE DIA. (IN)	GROUND MOUNTED
54448	GALVANIZED	SINGLE	10.00	20.00	6.50	3.70	20.00	11	12.00	12.00	1.00	1.13 X 1.69	1.00	36.00	4.00	6.00	12.00	12.00	M104	54519
54453	GALVANIZED	SINGLE	10.00	25.00	8.00	4.50	25.00	11	12.00	12.00	1.00	1.13 X 1.69	1.00	36.00	4.00	6.00	12.00	12.00	M104	54519
54393	GALVANIZED	SINGLE	10.00	30.00	8.00	4.01	28.50	11	12.00	12.00	1.00	1.13 X 1.69	1.00	36.00	4.00	6.00	12.00	12.00	M104	54519
54394	GALVANIZED	TWIN	10.00	30.00	8.00	4.01	28.50	11	12.00	12.00	1.00	1.13 X 1.69	1.00	36.00	4.00	6.00	12.00	12.00	M104	54519
54396	FED. GREEN #14056	SINGLE	10.00	30.00	8.00	4.01	28.50	11	12.00	12.00	1.00	1.13 X 1.69	1.00	36.00	4.00	6.00	12.00	12.00	M104	54519
54397	FED. GREEN #14056	TWIN	10.00	30.00	8.00	4.01	28.50	11	12.00	12.00	1.00	1.13 X 1.69	1.00	36.00	4.00	6.00	12.00	12.00	M104	54519
54398	BLACK	SINGLE	10.00	30.00	8.00	4.01	28.50	11	12.00	12.00	1.00	1.13 X 1.69	1.00	36.00	4.00	6.00	12.00	12.00	M104	54519
69837	BLACK	TWIN	10.00	30.00	8.00	4.01	28.50	11	12.00	12.00	1.00	1.13 X 1.69	1.00	36.00	4.00	6.00	12.00	12.00	M104	54519
70137	DARK GRAY-RAL7039	SINGLE	10.00	30.00	8.00	4.01	28.50	11	12.00	12.00	1.00	1.13 X 1.69	1.00	36.00	4.00	6.00	12.00	12.00	M104	54519
70138	LIGHT GRAY	SINGLE	10.00	30.00	8.00	4.01	28.50	11	12.00	12.00	1.00	1.13 X 1.69	1.00	36.00	4.00	6.00	12.00	12.00	M104	54519
54427	GALVANIZED	SINGLE	10.00	35.00	8.50	3.81	33.50	11	12.00	12.00	1.00	1.13 X 1.69	1.00	36.00	4.00	6.00	12.00	12.00	M104	54519
54428	GALVANIZED	TWIN	10.00	35.00	8.50	3.81	33.50	11	12.00	12.00	1.00	1.13 X 1.69	1.00	36.00	4.00	6.00	12.00	12.00	M104	54519
54429	FED. GREEN #14056	SINGLE	10.00	35.00	8.50	3.81	33.50	11	12.00	12.00	1.00	1.13 X 1.69	1.00	36.00	4.00	6.00	12.00	12.00	M104	54519
54430	BLACK	TWIN	10.00	35.00	8.50	3.81	33.50	11	12.00	12.00	1.00	1.13 X 1.69	1.00	36.00	4.00	6.00	12.00	12.00	M104	54519
70002	LOUISVILLE BRONZE	SINGLE	10.00	35.00	8.50	3.81	33.50	11	12.00	12.00	1.00	1.13 X 1.69	1.00	36.00	4.00	6.00	12.00	12.00	M104	54519
70003	BLACK	SINGLE	10.00	35.00	8.50	3.81	33.50	11	12.00	12.00	1.00	1.13 X 1.69	1.00	36.00	4.00	6.00	12.00	12.00	M104	54519
70141	DARK GRAY-RAL7039	SINGLE	10.00	35.00	8.50	3.81	33.50	11	12.00	12.00	1.00	1.13 X 1.69	1.00	36.00	4.00	6.00	12.00	12.00	M104	54519
70142	LIGHT GRAY	SINGLE	10.00	35.00	8.50	3.81	33.50	11	12.00	12.00	1.00	1.13 X 1.69	1.00	36.00	4.00	6.00	12.00	12.00	M104	54519
54426	GALVANIZED	SINGLE	10.00	40.00	9.00	3.58	38.75	11	15.13	15.00	1.25	1.13 X 1.69	1.00	36.00	4.00	6.00	15.00	15.00	M098	54521
54417	GALVANIZED	TWIN	10.00	40.00	9.00	3.58	38.75	11	15.13	15.00	1.25	1.13 X 1.69	1.00	36.00	4.00	6.00	15.00	15.00	M098	54521
54421	BLACK	SINGLE	10.00	40.00	9.00	3.58	38.75	11	15.13	15.00	1.25	1.13 X 1.69	1.00	36.00	4.00	6.00	15.00	15.00	M098	54521
99155	DARK BRONZE	SINGLE	10.00	40.00	9.00	3.58	38.75	11	15.13	15.00	1.25	1.13 X 1.69	1.00	36.00	4.00	6.00	15.00	15.00	M098	54521
54457	GALVANIZED	SINGLE	10.00	50.00	11.00	4.00	50.00	10	15.13	15.00	1.25	1.38 X 1.94	1.25	42.00	6.00	6.00	15.00	17.25	M098	54521

*ADDING POLES ONTO BREAKAWAY TRANSFORMER BASE INCREASES THE LUMINAIRE MOUNTING HEIGHT BY 1'-5".

MATERIAL DATA		
COMPONENT	ASTM DESIGNATION	MIN. YIELD D (KSI)
POLE SHAFT	A595 GR. A	55
ARM SHAFT	A595 GR. A	55
BASE PLATE	A36	36
SIMPLEX PLATES	A36	36
GUSSETS	A36	36
LUMINAIRE BOLTS	SAE GR. 5	
T-BASE CONN. BOLTS	A325	
ANCHOR BOLTS	F1554 GR. 55	55
GALVANIZING	A123 & A153	

OPTION 1: GALVANIZED TO A123

OPTION 2: GALVANIZED TO A123 HIGH BUILD EPOXY POWDER TGIC OR SUPER DURABLE POLYESTER POWDER

OPTION 2: TGIC OR SUPER DURABLE POLYESTER POWDER (ARMS)

(COLOR AS SPECIFIED IN POLE DATA TABLE)

FINISH NOTE

THE LIGHTING STRUCTURES SHOWN ON THIS DRAWING HAVE BEEN DESIGNED IN ACCORDANCE WITH THE LOADING AND THE ALLOWABLE STRESS REQUIREMENTS OF THE 2009 AASHTO "STANDARD SPECIFICATIONS FOR STRUCTURAL SUPPORTS FOR HIGHWAY SIGNS, LUMINAIRES AND TRAFFIC SIGNALS", FIFTH EDITION, INCLUDING THE 2011 WIND INTERIM. THE WIND LOADS WERE CALCULATED FROM A BASIC WIND VELOCITY OF 100 MPH WITH A RECURRENCE INTERVAL OF 50 YEARS.

PER THE CODE COMMON LIGHTING STRUCTURES BELOW 55' ARE NOT REQUIRED TO BE ANALYZED FOR FATIGUE LOADS AS THEY HAVE NOT NORMALLY EXHIBITED FATIGUE PROBLEMS.

DESIGN LOADING CRITERIA: 1.7 EPA & 55LBS



Westminster Lighting Details

Arterial/Collector Style Pole

Galvanized Steel Standard

Sheet 1 of 11

Drawing/Engineered by Others

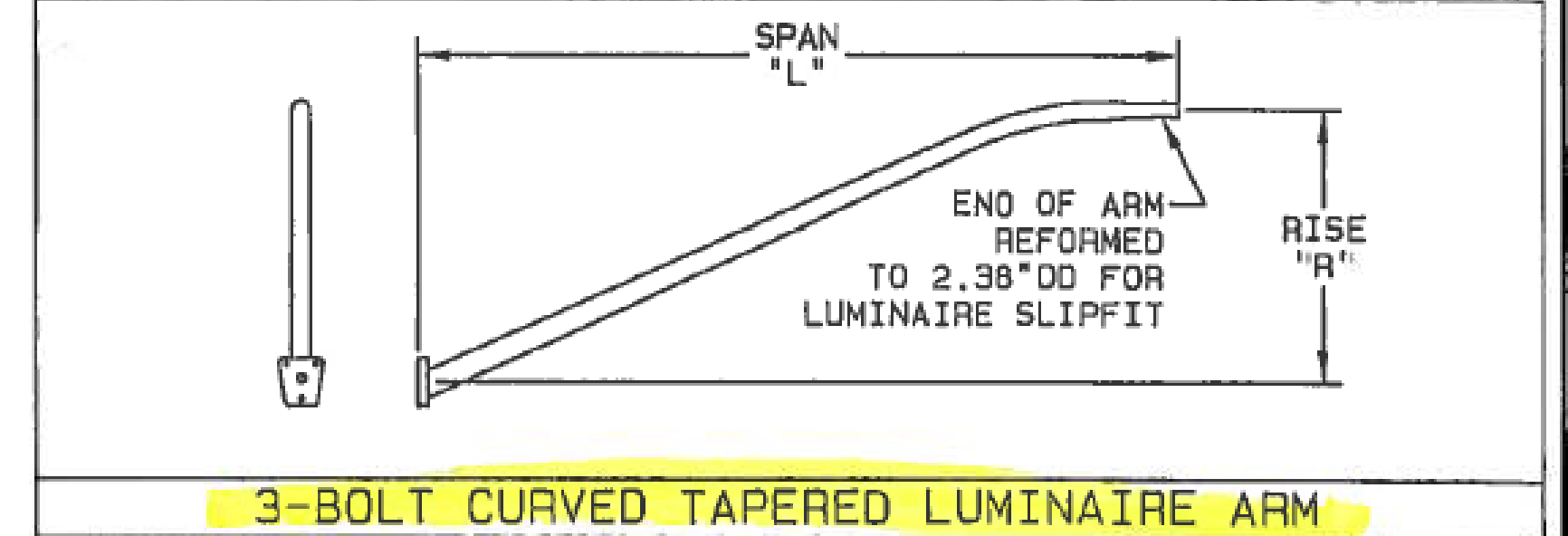
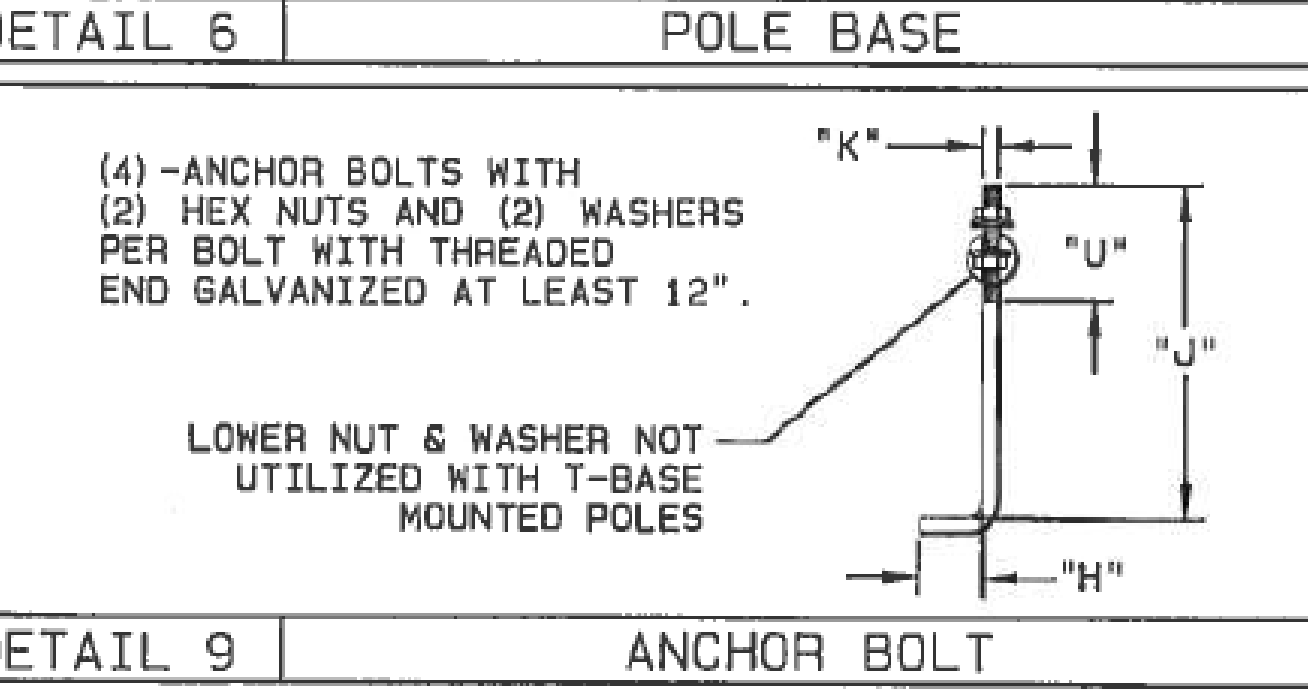
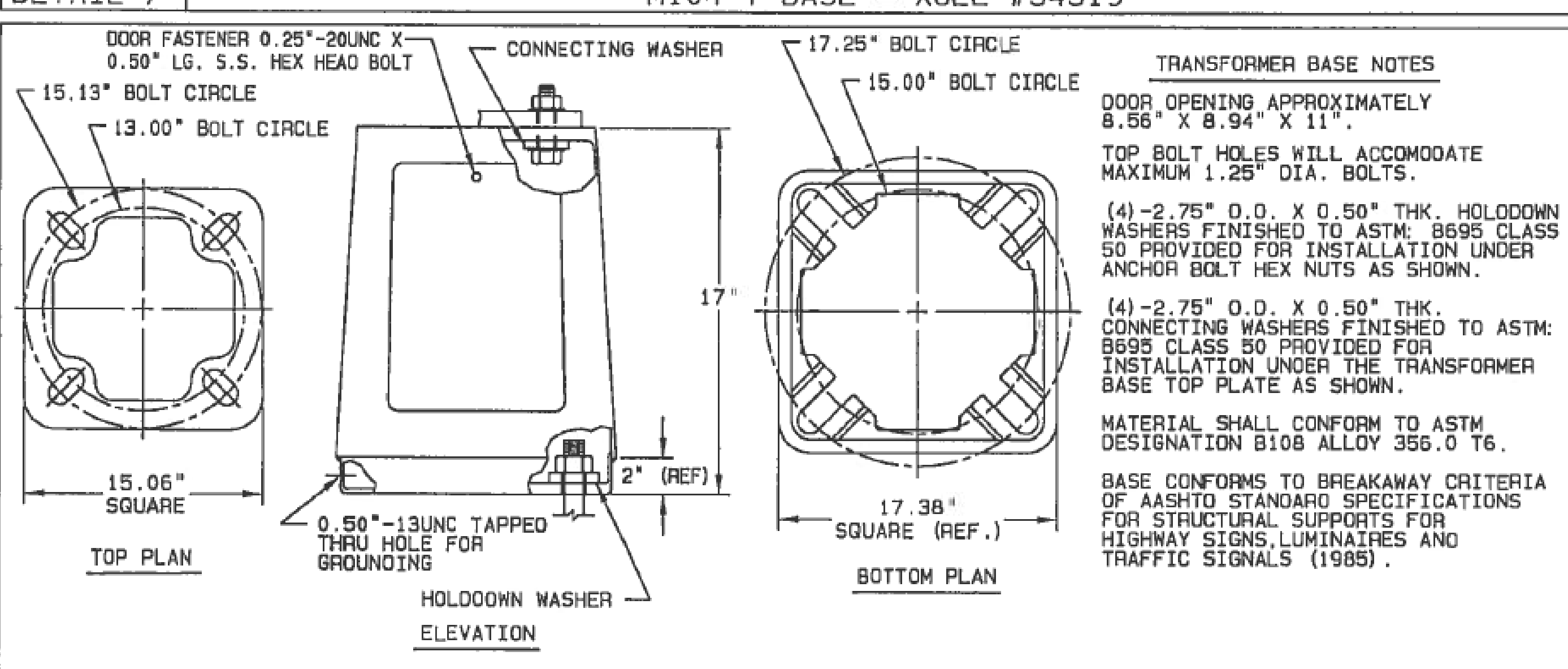
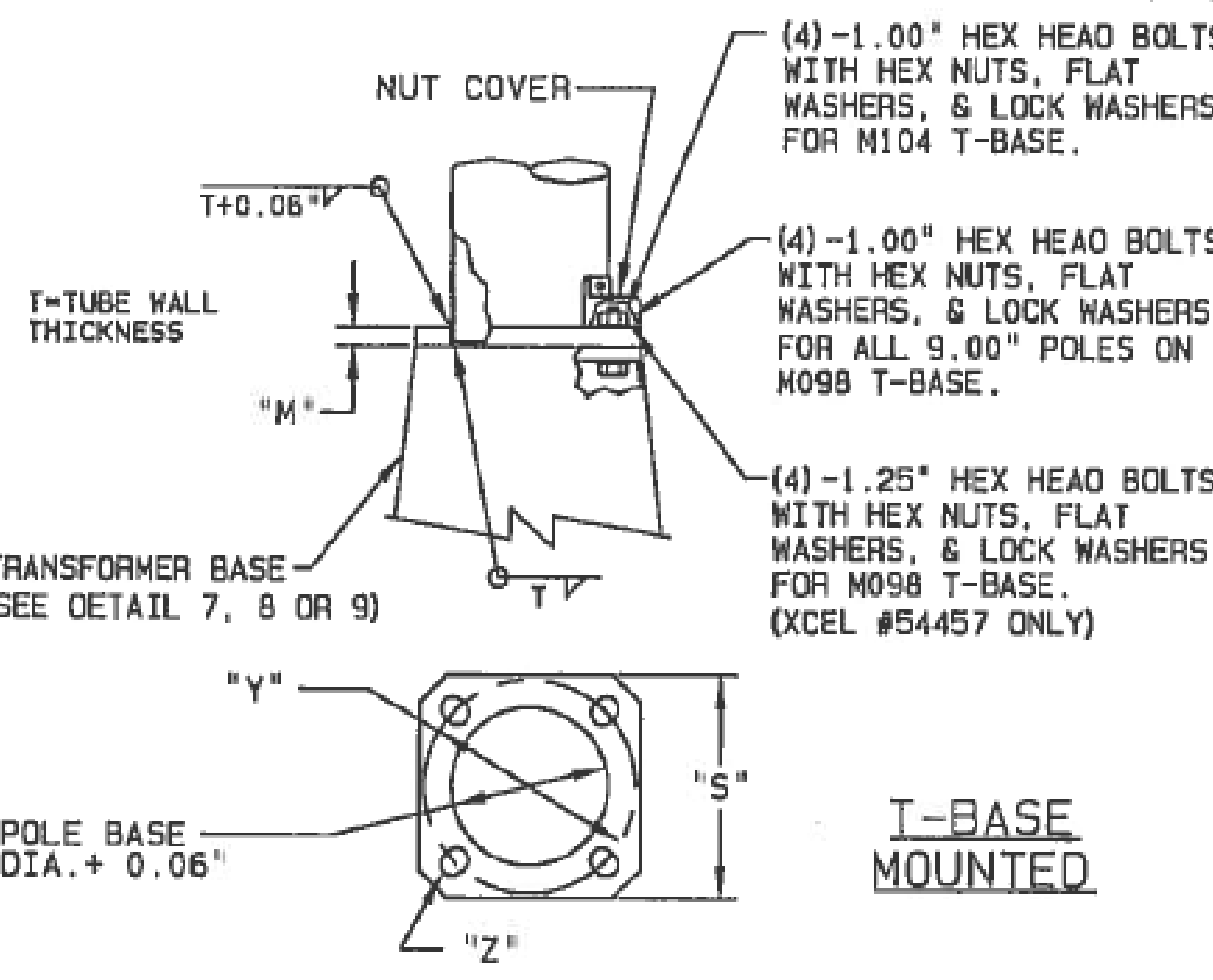
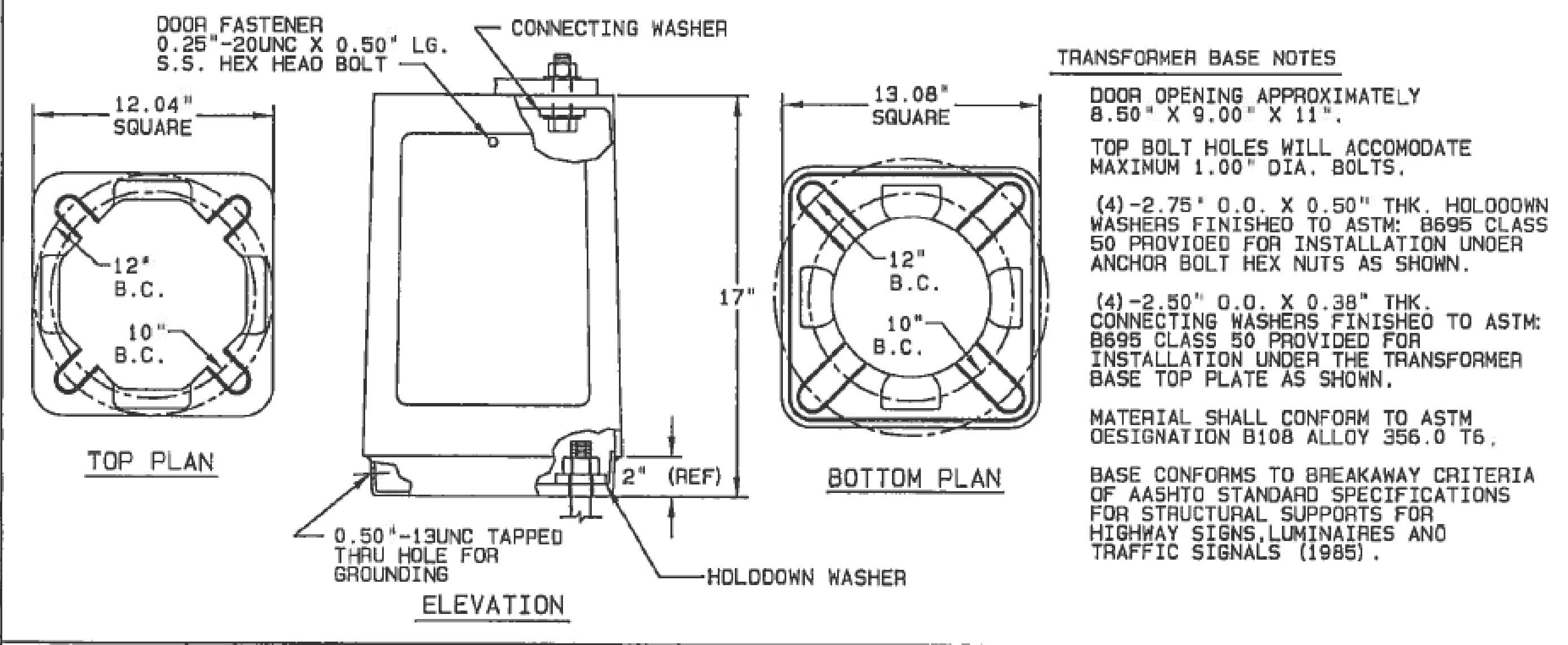
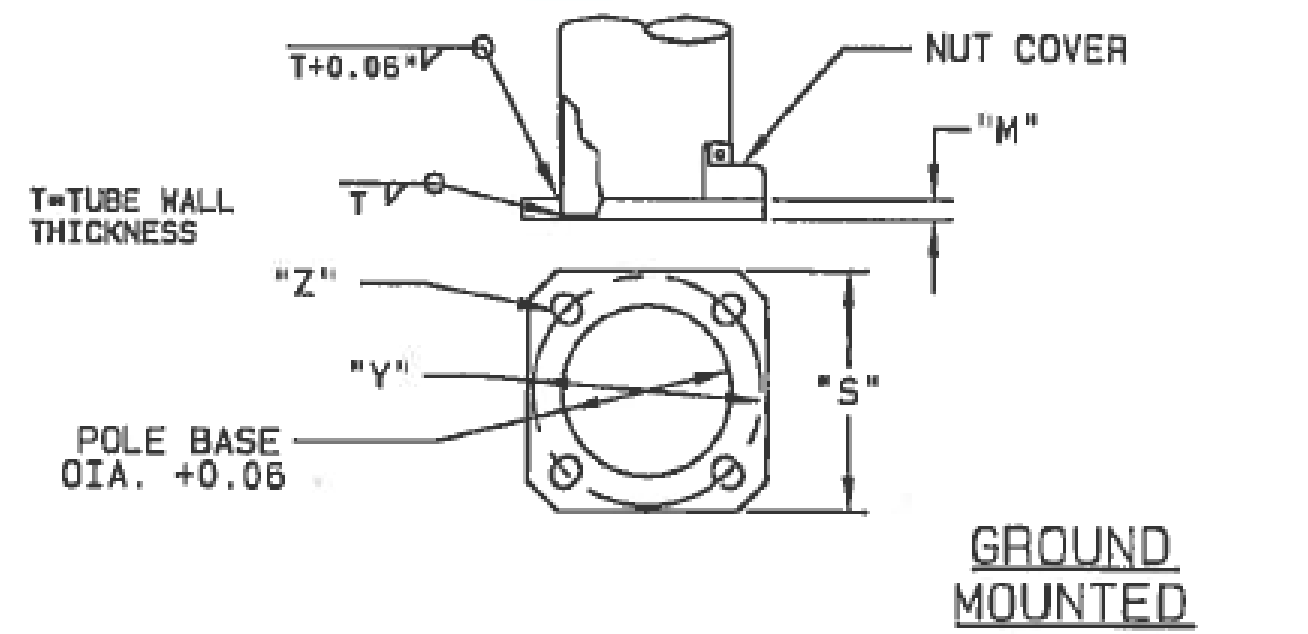
REV	DRAWN BY-DATE	CHECK BY-DATE	DESCRIPTION
C	MAW2 09/19/12	MAW2 09/19/12	9.00" POLES WERE M093 T-BASE & 13.50"B.C.
B	RBC2 04/19/12	RBC2 04/19/12	35' MH WERE 15'B.C./40' MH WERE 17.25'B.C. /DEL. 70' STRUCTURE
A	DAH7 02/06/12	MAW2 02/07/12	ADDED T-BASE PER CUSTOMER REQUEST
	GGL 09/20/11	GGL 09/20/11	

TITLE XCEL STREETLIGHTING STANDARDS
3-BOLT CONNECTING PLATE DESIGNS
DS32 SERIES LIGHTING STRUCTURES

VALMONT INDUSTRIES, INC. RESERVES THE RIGHT TO INSTALL VARIOUS, ENGINEER APPROVED, MATERIAL HANGING ACCOMMODATIONS TO FACILITATE THE MANUFACTURING PROCESS.

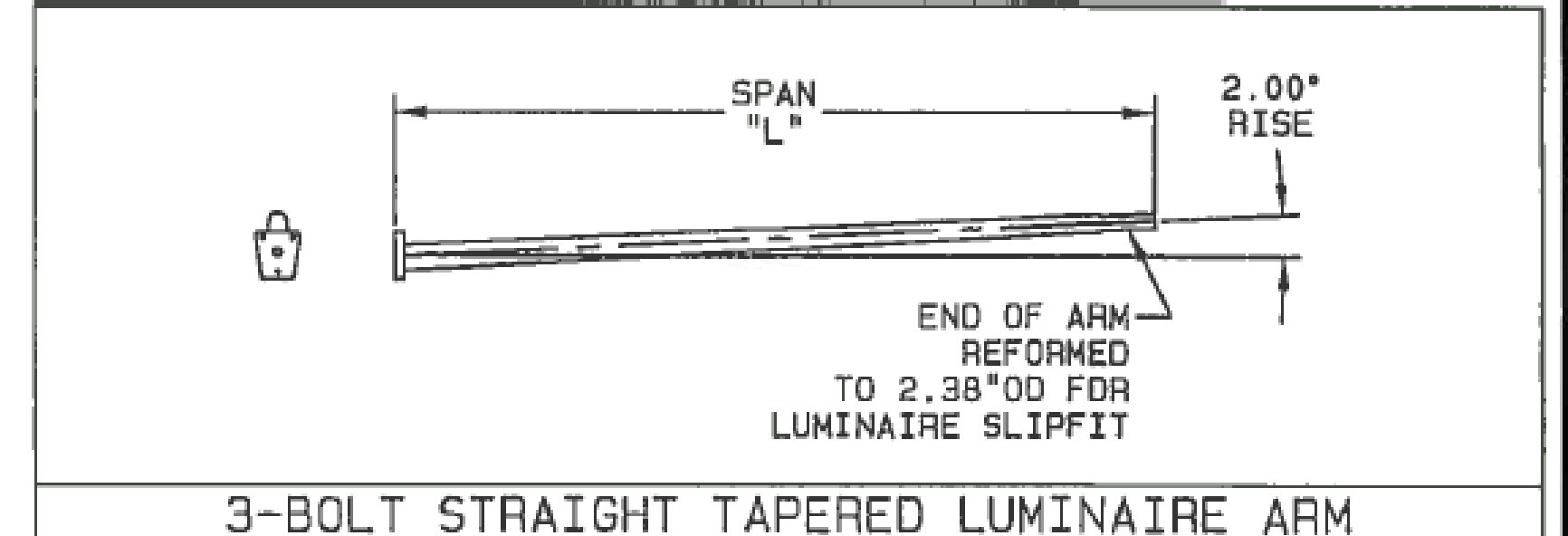
valmont
Valley, NE 68064
(402) 359-2201

PAGE NUMBER: 1 OF 3	REV
DRAWING NUMBER	DB00977
	C



CURVED LUMINAIRE ARM DATA

XCEL ITEM NO.	FINISH COLOR	ARM SPAN "L" (FT)	FIXED END DIA. (IN)	FREE END DIA. (IN)	GA.	RISE HEIGHT "R"
54489	GALVANIZED	6.00	3.28	2.38	11	1'-6"
54490	FED.GREEN #14056	6.00	3.28	2.38	11	1'-6"
54491	BLACK	6.00	3.28	2.38	11	1'-6"
70147	INTERLOCKEN GRAY	6.00	3.28	2.38	11	1'-6"
70148	LIGHT GRAY	6.00	3.28	2.38	11	1'-6"
54499	GALVANIZED	10.00	3.86	2.38	11	2'-2"
54500	FED.GREEN #14056	10.00	3.86	2.38	11	2'-2"
67624	BLACK	10.00	3.86	2.38	11	2'-2"
67625	INTERLOCKEN GRAY	10.00	3.86	2.38	11	2'-2"
70001	LOUISVILLE BRONZE	10.00	3.86	2.38	11	2'-2"
70145	LIGHT GRAY	10.00	3.86	2.38	11	2'-2"



STRAIGHT LUMINAIRE ARM DATA

XCEL ITEM NO.	FINISH COLOR	ARM SPAN "L" (FT)	FIXED END DIA. (IN)	FREE END DIA. (IN)	GA.
70166	DARK BRONZE	6.00	3.24	2.38	11
54113	FED.GREEN #14056	10.00	3.80	2.38	11
70168	BLACK	10.00	3.80	2.38	11

WHEN MOUNTING LIGHT POLES ON TRANSFORMER BASES, THE CONTRACTOR MUST ALWAYS USE THE LARGEST CONNECTING BOLT CIRCLE ALLOWED BY THE SLOTTED HOLES IN EITHER THE POLE BASE PLATE OR THE TRANSFORMER BASE TOP PLATE.

T-BASE FINISH NOTES:
 FINISH PAINT T-BASE WITH MAG CLORIDE RESISTANT PAINT SYSTEM
 BASE COAT: ANNODIZED DURANIDIC #313
 PRIME COAT: ATP DARK (5.0 MILS)
 TOP COAT: TGIC OR URETHANE POLYESTER POWDER (3 MILS)
 COLOR: NATURAL ALUMINUM

T-Base Mount normally not used

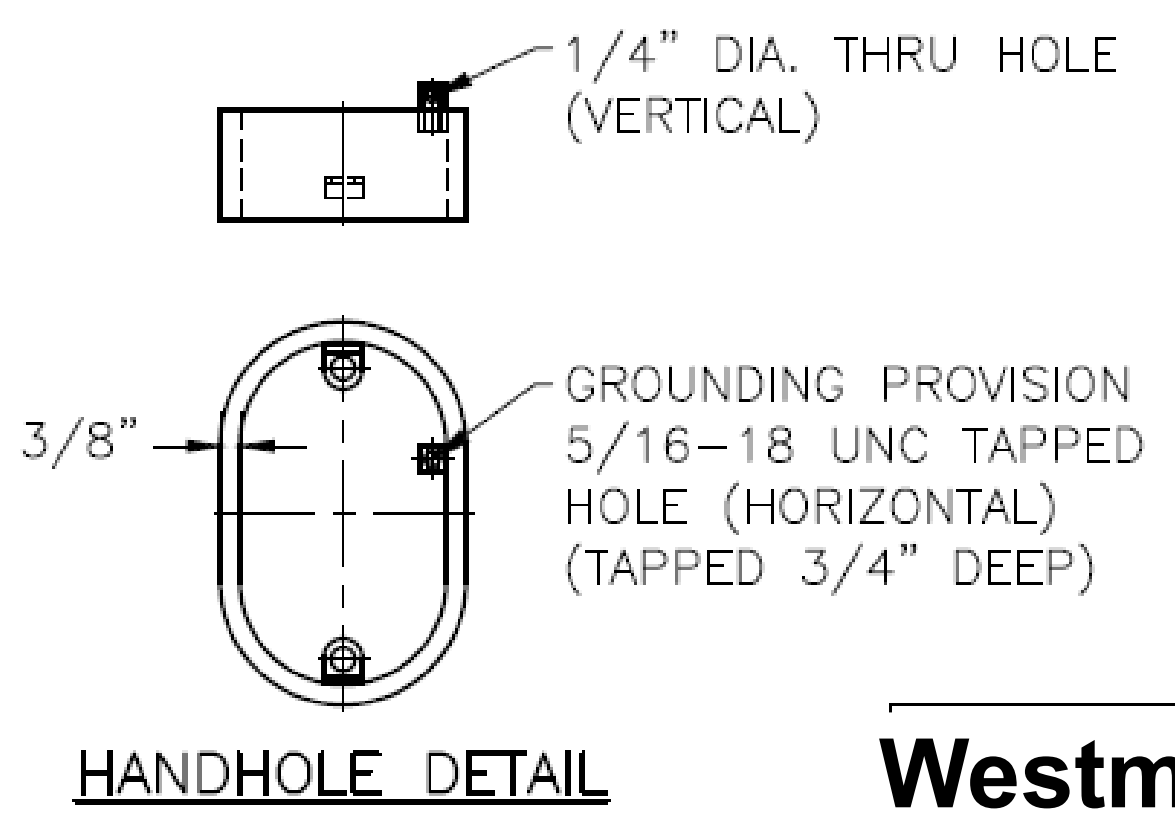
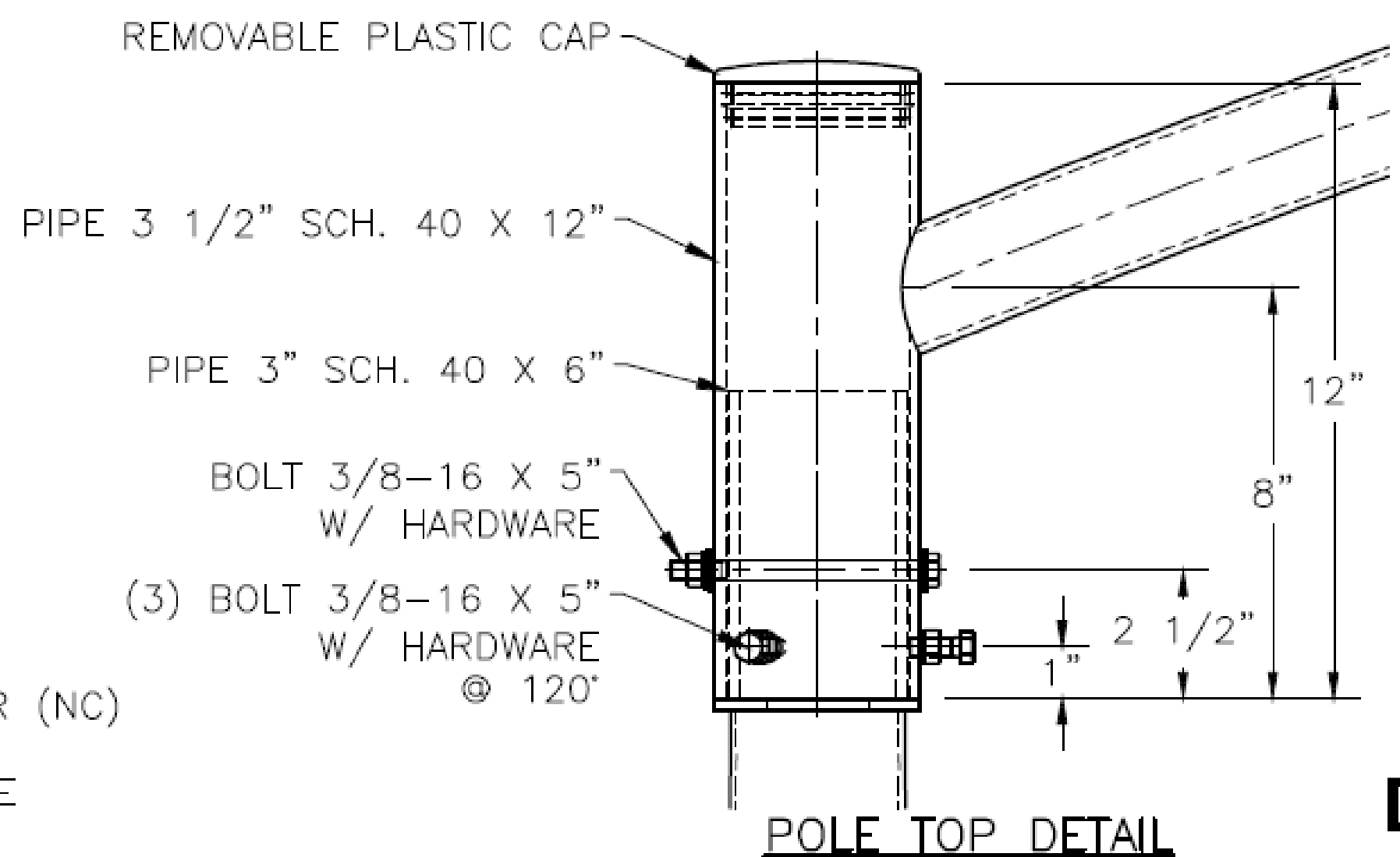
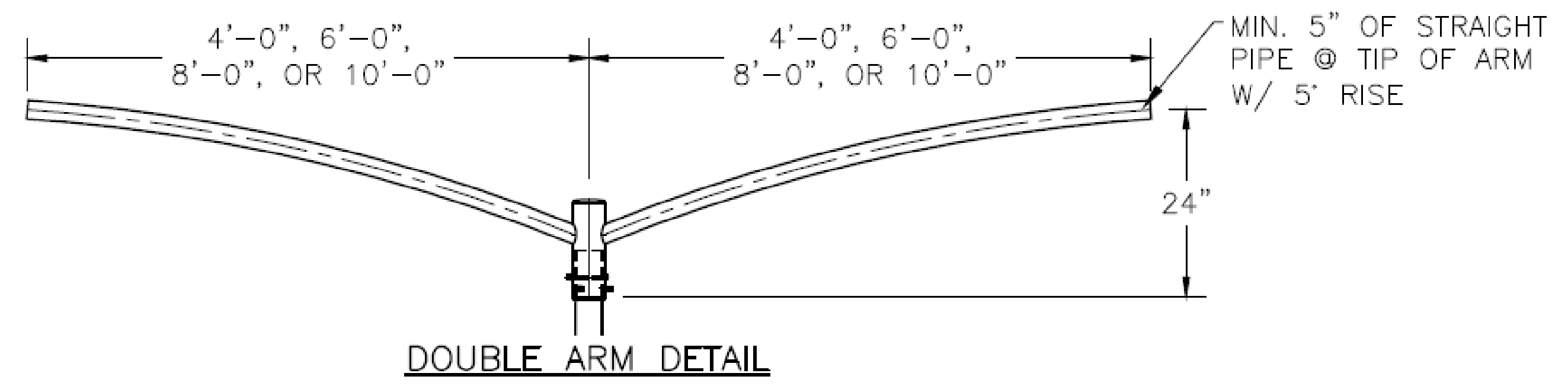
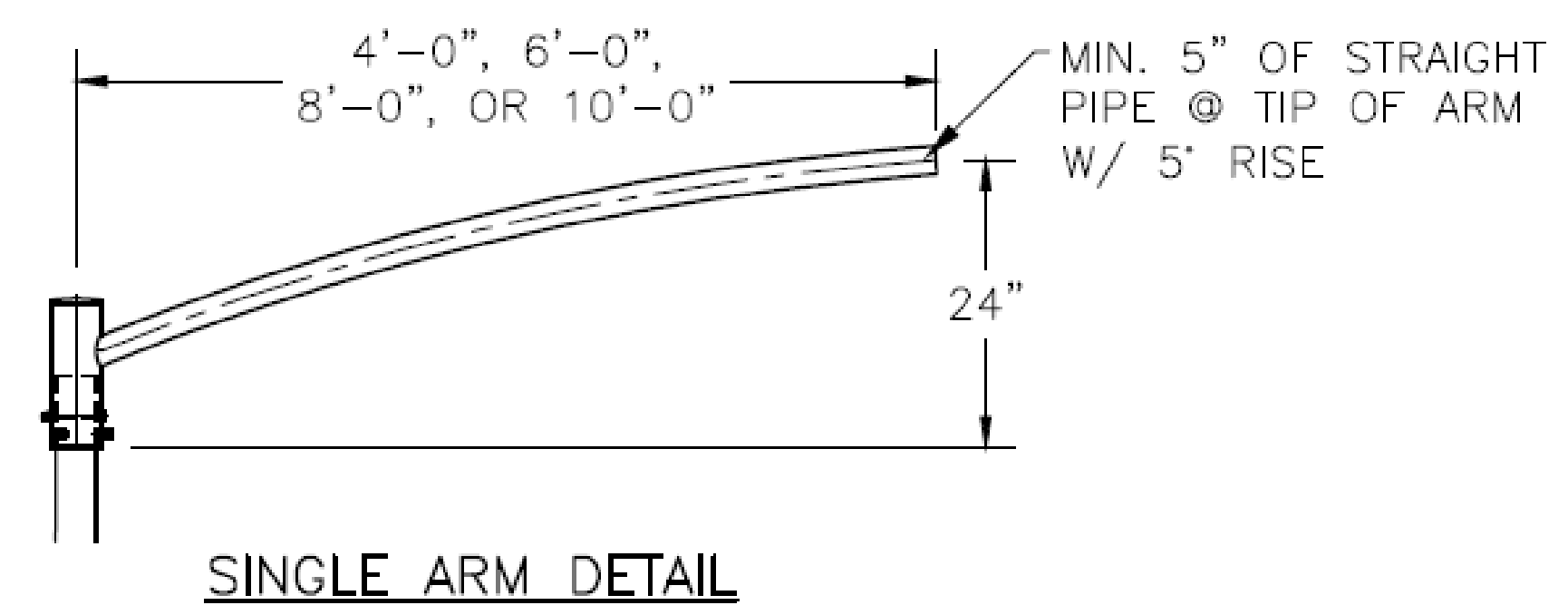
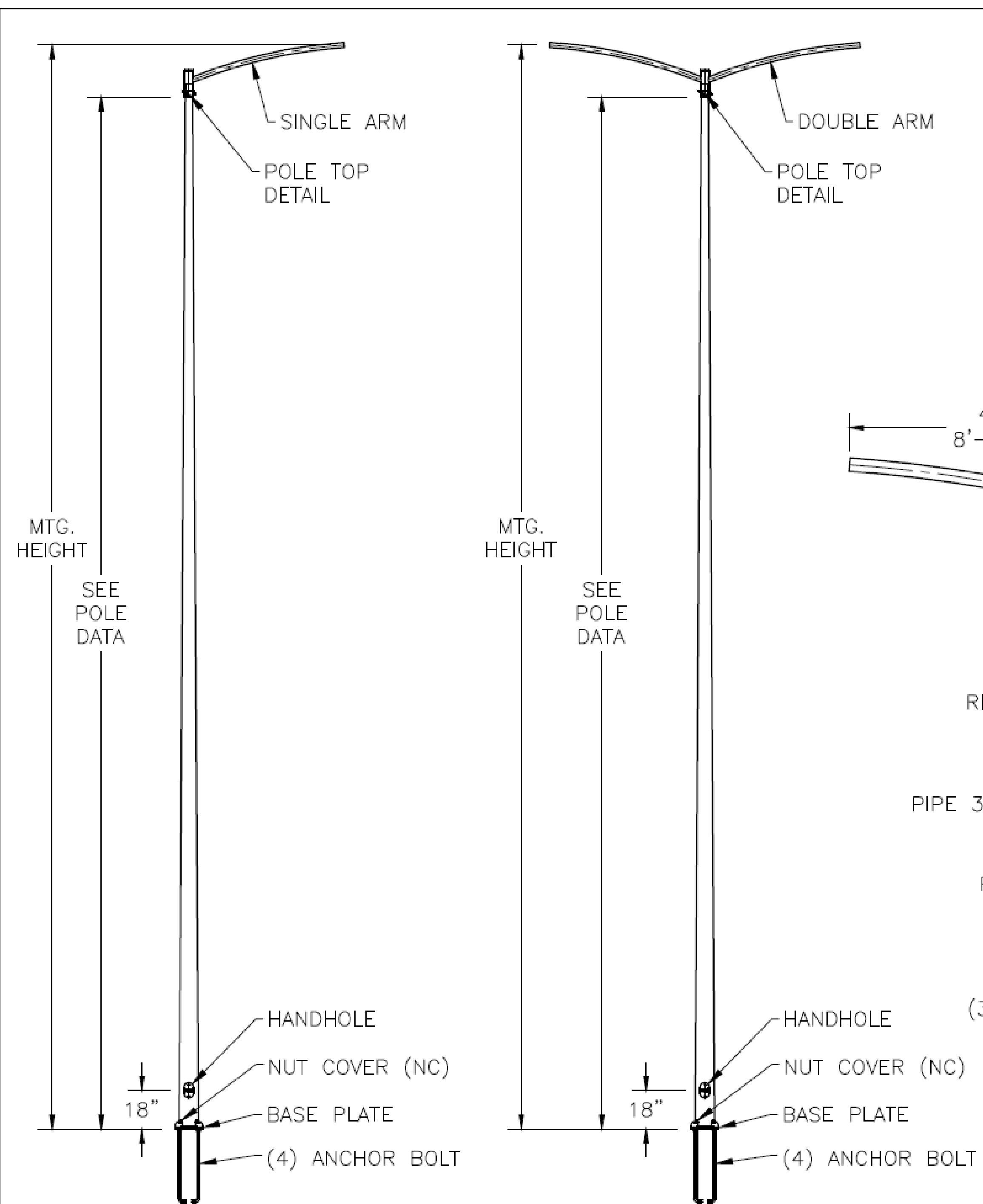
Westminster Lighting Details

Arterial/Collector Style Pole Galvanized Steel Standard

Sheet 2 of 11



Drawing/Engineered by Others

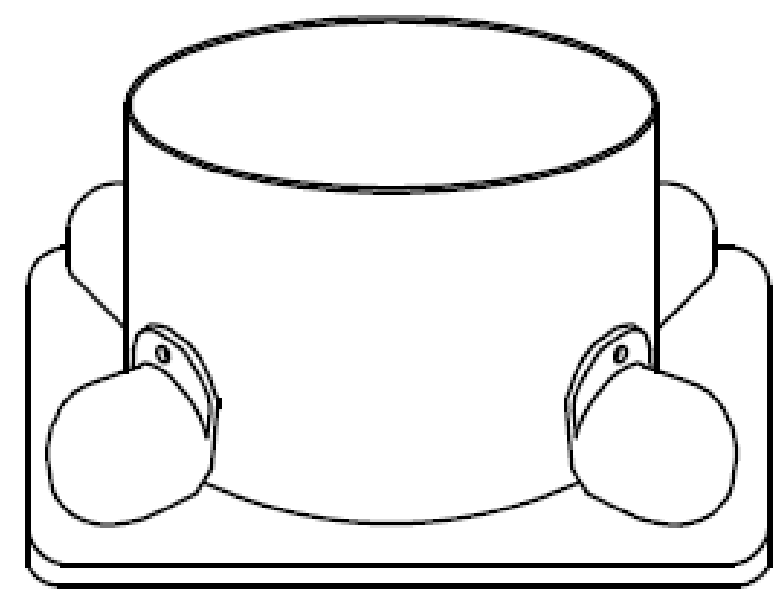


MATERIAL SPECIFICATIONS:
 POLE SHAFT: COMMERCIAL GR STEEL, 55 K.S.I. MIN. YIELD.
 BASE PLATE: ASTM A36, 36 K.S.I. MIN. YIELD.
 ANCHOR BOLT: ASTM F1554, 55 K.S.I. MIN. YIELD.
 PIPE: ASTM A500 GR. C, 46 K.S.I. MIN. YIELD.

⚠ ENTIRE STANDARD TO BE HOT DIP GALVANIZED IN ACCORDANCE WITH ASTM A123. (G)

ENTIRE STANDARD TO HAVE A THERMOSET POLYESTER POWDER COATING IN ACCORDANCE WITH WJM COATING STANDARDS.

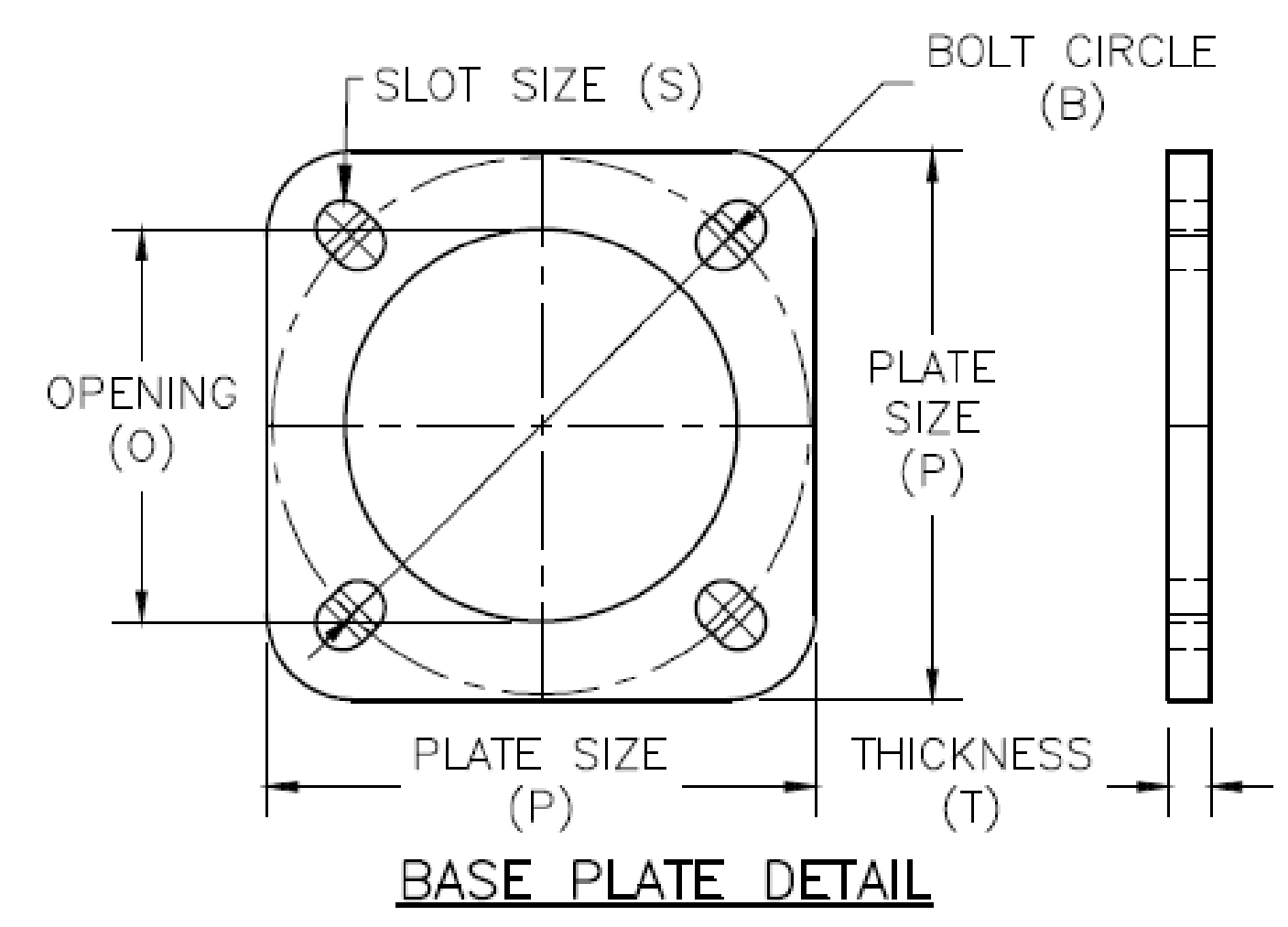
FINISH COLOR TO BE GALVANIZED



NUT COVER DETAIL

FINISHES (ORDER BY RAL#)	
RAL#	COLOR
6005	DARK GREEN
8019	DARK BRONZE - (BROWN)
9017	BLACK
7039	DARK GRAY
7047	LIGHT GRAY
6012	FEDERAL GREEN
G	HOT DIPPED GALVANIZED

POLE DATA															
POLE SHAFT					BASE PLATE						ANCHOR BOLT				ARM QTY.
MTG. HEIGHT	BASE OD	TOP OD	LENGTH	GAUGE	HANDHOLE SIZE	PLATE SIZE (P)	BOLT CIRCLE (B)	THICKNESS (T)	SLOT SIZE (S)	OPENING (O)	DIA.	LENGTH	HOOK	THREAD LENGTH	# OF ARMS
17.0'	6.1"	4.0"	15.0'	11	3" X 5"	10"	9.5"	.75"	.9375" X 1.25"	6.25"	.75"	30"	3"	5"	1 OR 2
22.0'	6.5"	3.7"	20.0'	11	4" X 6.5"	10"	9.5"	.875"	1.25" X 1.75"	6.625"	1"	36"	4"	6"	1 OR 2
27.0'	6.84"	3.34"	25.0'	11	4" X 6.5"	10.5"	10.0"	.875"	1.25" X 1.75"	7.0"	1"	36"	4"	6"	1 OR 2
32.0'	8.0"	3.8"	30.0'	11	4" X 6.5"	11.5"	11.0"	.875"	1.25" X 1.75"	8.125"	1"	36"	4"	6"	1 OR 2
37.0'	8.5"	3.6"	35.0'	11	4" X 6.5"	12.0"	11.5"	1.0"	1.25" X 1.75"	8.625"	1"	36"	4"	6"	1 OR 2
42.0'	9.0"	3.4"	40.0'	11	4" X 6.5"	12.75"	12.5"	1.0"	1.25" X 1.75"	9.125"	1"	36"	4"	6"	1 OR 2



BASE PLATE DETAIL

Drawing/Engineered by Others

Westminster Lighting Details
Arterial/Collector Style Pole
Optional Galvanized Steel Pole
Sheet 3 of 11

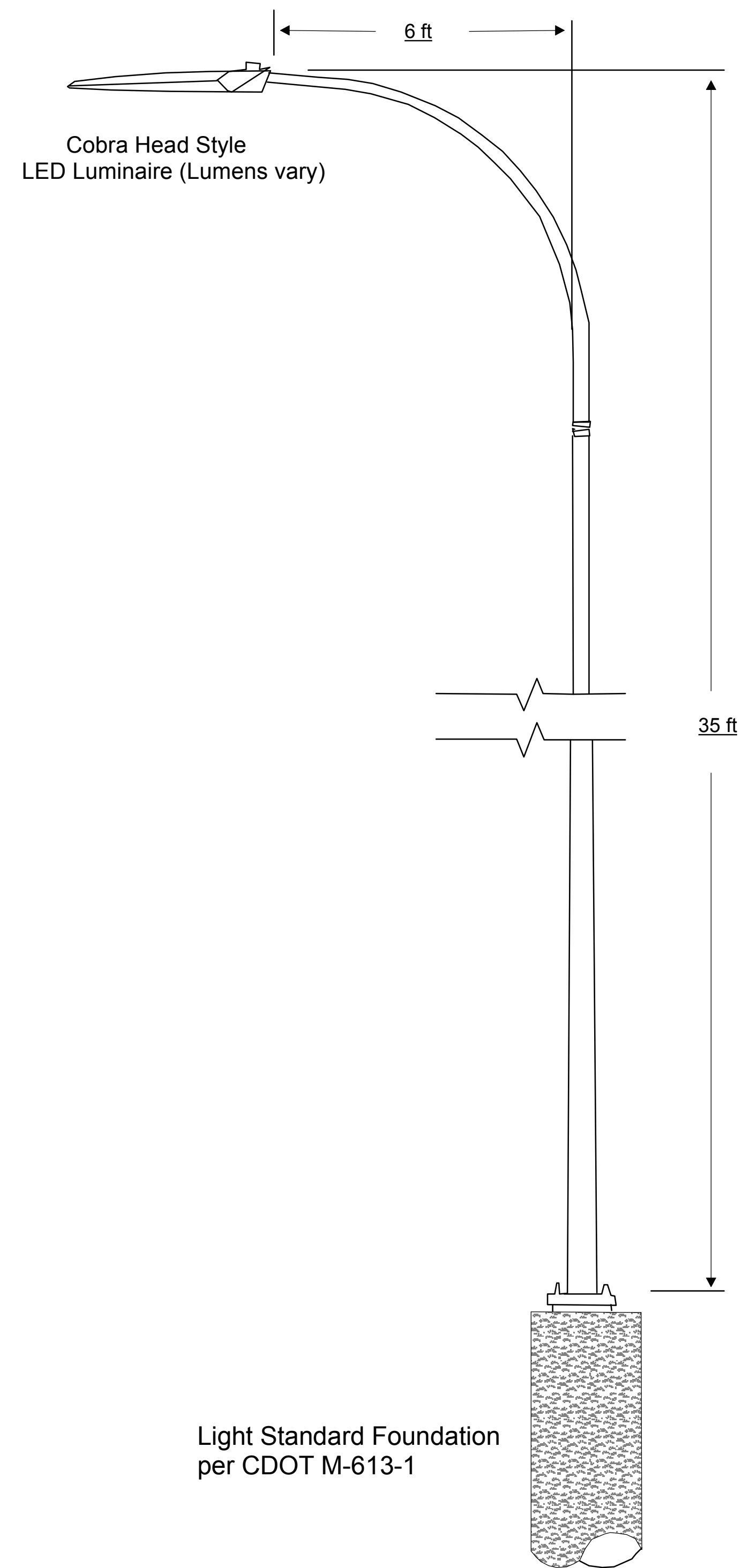
3	ADDED FINISH CHART	N/A	JU	6/9/2014
2	ADDED SPECS FOR GALV.	13037	CV	5/29/2014
1	ADDED EXTRA INFO. PER PROVIDED SPECS	12971	JU	4/14/2014
REV:	DESCRIPTION:	ERF:	BY:	DATE:
		12804		



XCEL ENERGY
 RT8001130-BK/G-3.5-SBP-NC
 W/ A94-1-10-12-2-BK/G-3.5
 OR A94-2-18-12-2-BK/G-3.5

DRAWN BY: JU DATE: 4/7/2014 DRAWING NO.: 110-W200-82 REV: 3

Davit Steel Pole - Federal Green Paint over Galvanize



Cobra Head Style LED Luminaire

GE Evolve LED Roadway Lighting
 Scalable Cobrahead (ERS1, ERS2, ERS3, ERS4)
 1 - 4 LED sections



LED Luminaire selection base upon roadway lighting requirements (Lumens vary)

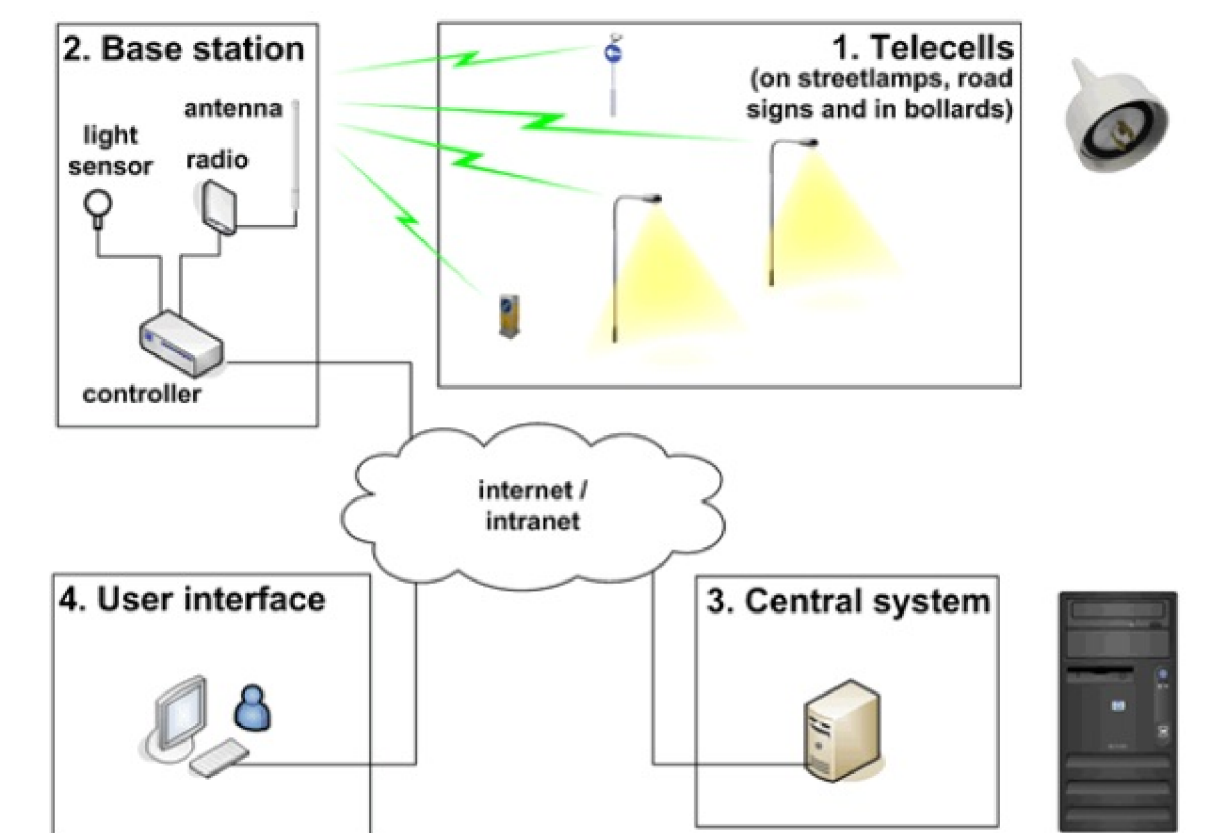
Adaptive Control Requirements

GE or Telensa (Ripley) Adaptive Lighting Controls - Depending on project requirements either a GE Gateway or a Telensa Base Station may be required

GE Standard or Stand-alone Node selection to be based on individual project specifications by the City



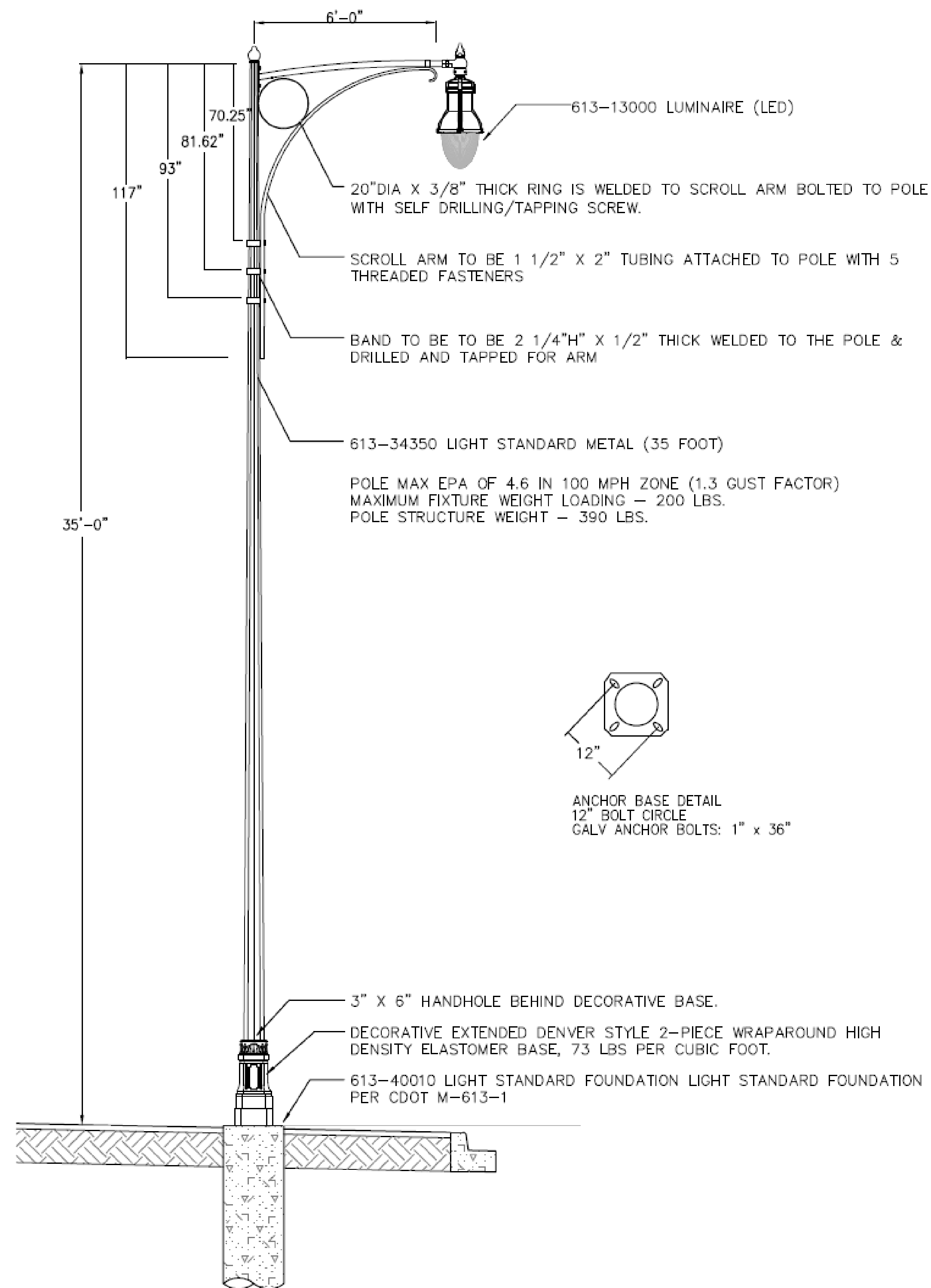
Telensa Planet Adaptive Control System



**Westminster Lighting Details
 Arterial/Collector Style Poles & Fixtures**

Decorative Steel Pole - Federal Green Paint over Galvanize

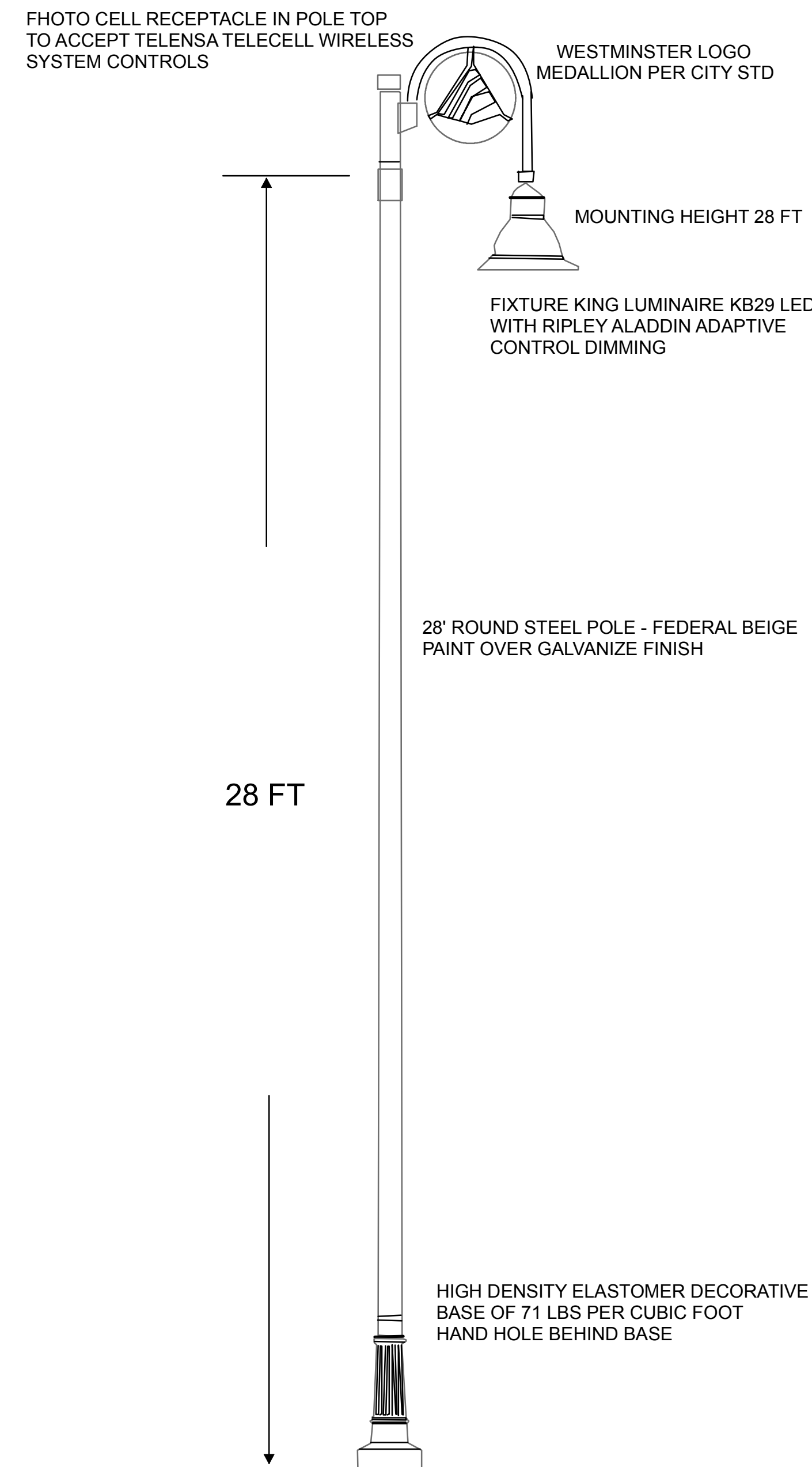
72nd & Raleigh Style



1 LIGHT STANDARD DETAIL
M-5 NOT TO SCALE

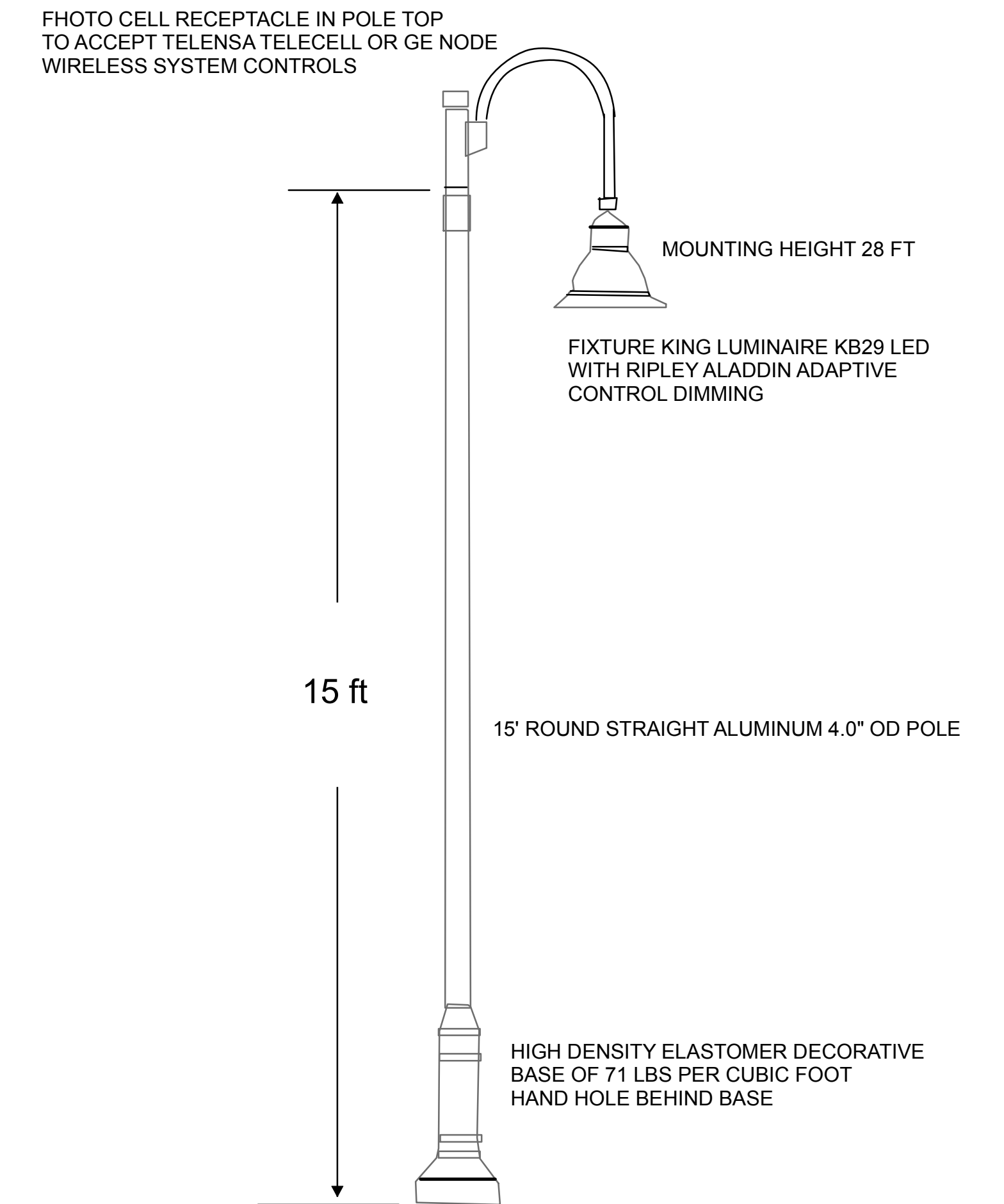
Decorative Arterial Steel Pole - Beige Paint over Galvanize

Orchard Pkwy Style



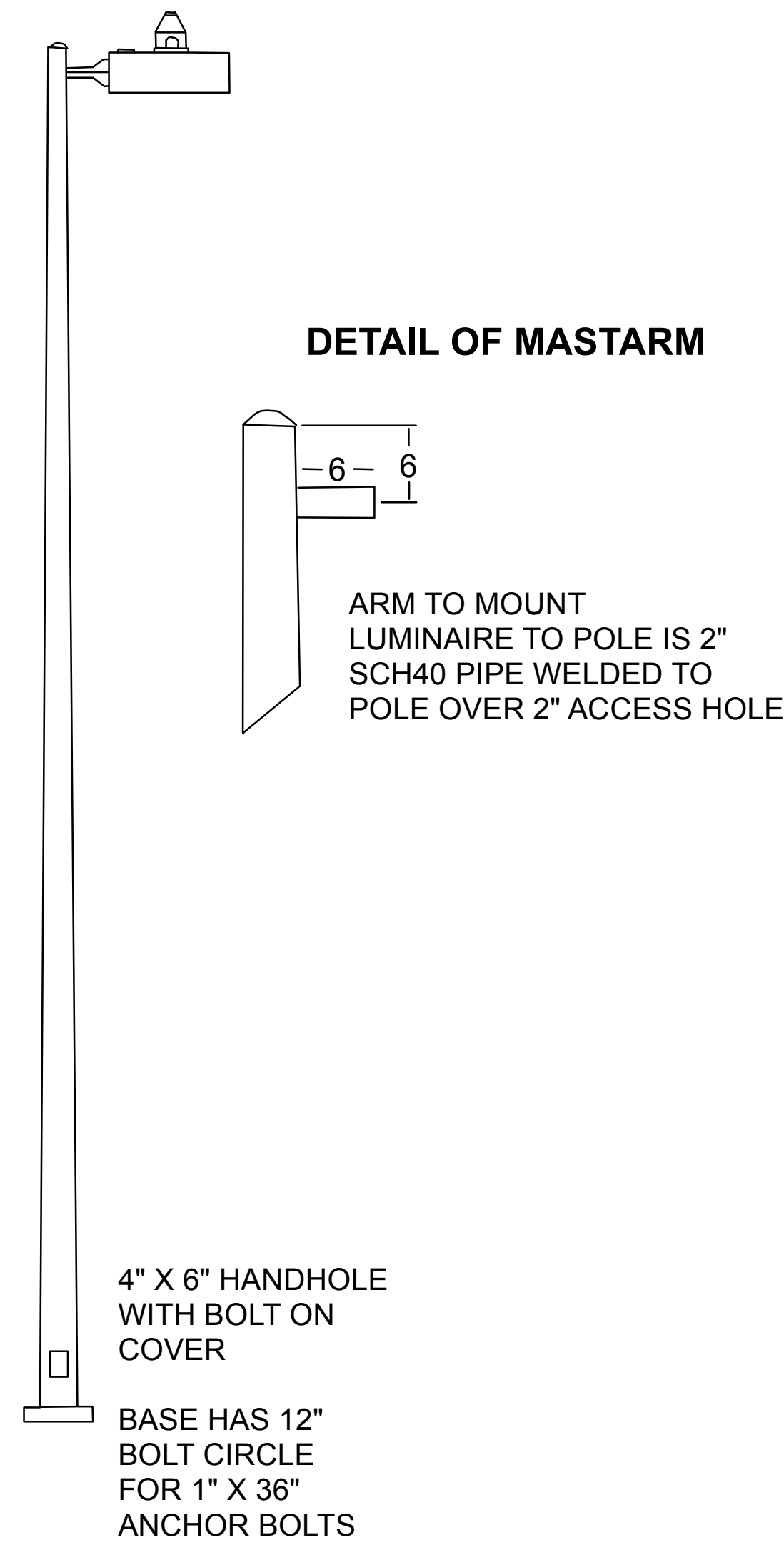
Decorative Residential Steel Pole - Black Paint over Galvanize

Hyland Village Style



**Westminster Lighting Details
Decorative Style Poles & Fixtures**

Curvilinear Steel Poie - Federal Green Paint over Galvanize

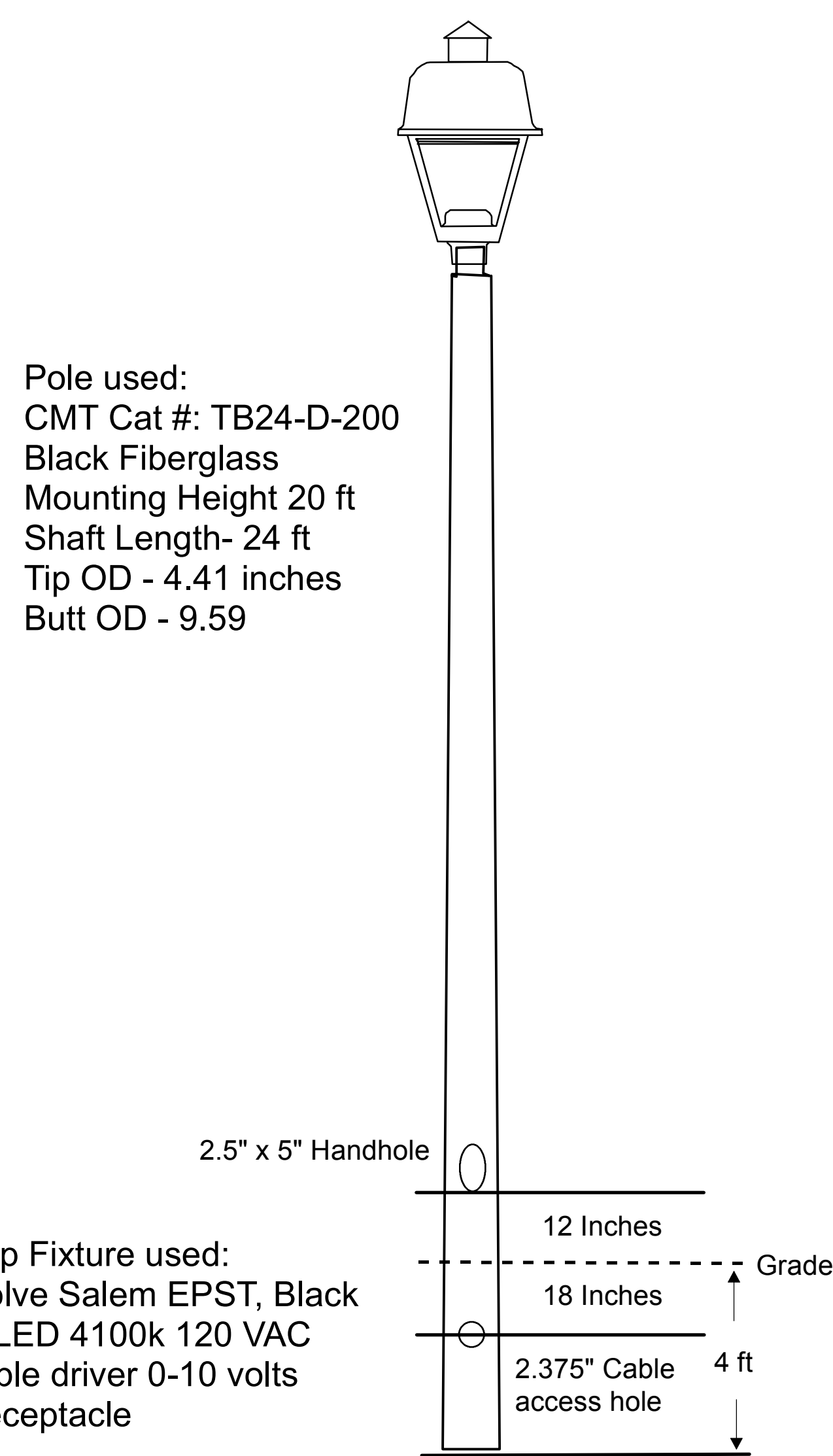


Pole:
28 ft found tapered Federal Green over
galvanized Steel, Diameter 8" to 4" Taper

Curvilinear Fixture used:
Cyclone CD20S2
Clear tempered glass lens, 98% transmissive
LED 203-5 IESNA type III refractor lenses
Lamp- LED 4000k
Dimmable driver 0-10 volts
7-pin receptacle

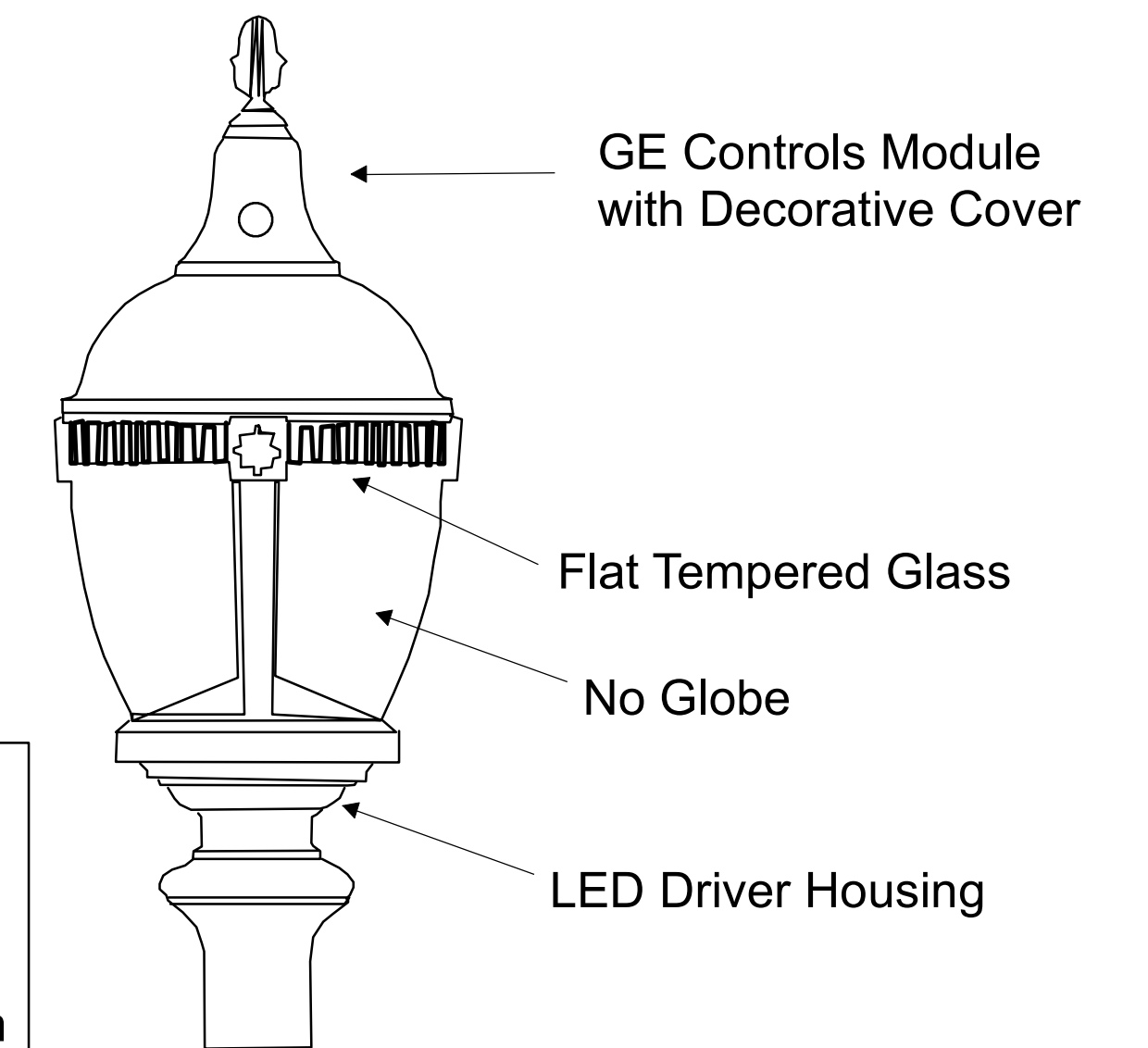
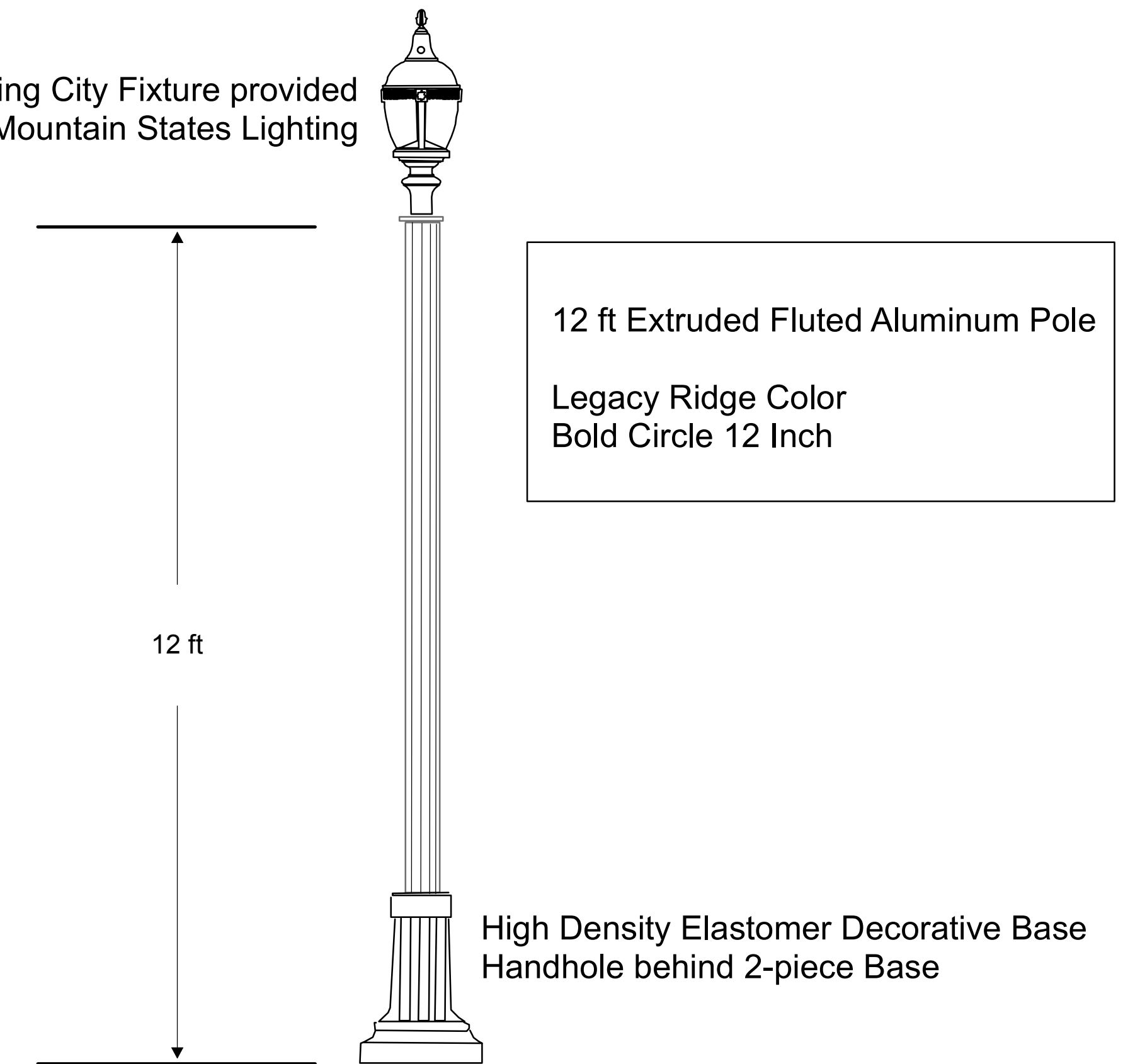
Direct Buried LED Post Top

Shoenberg & Hyland Village Style

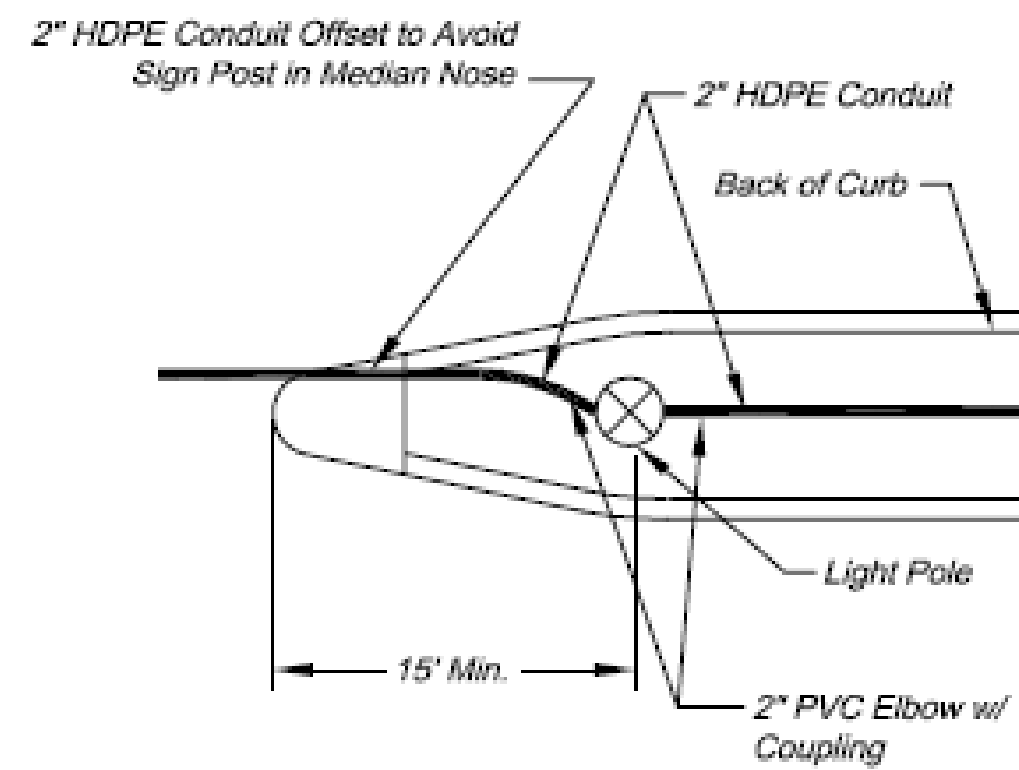


Legacy Ridge Style LED Post Top

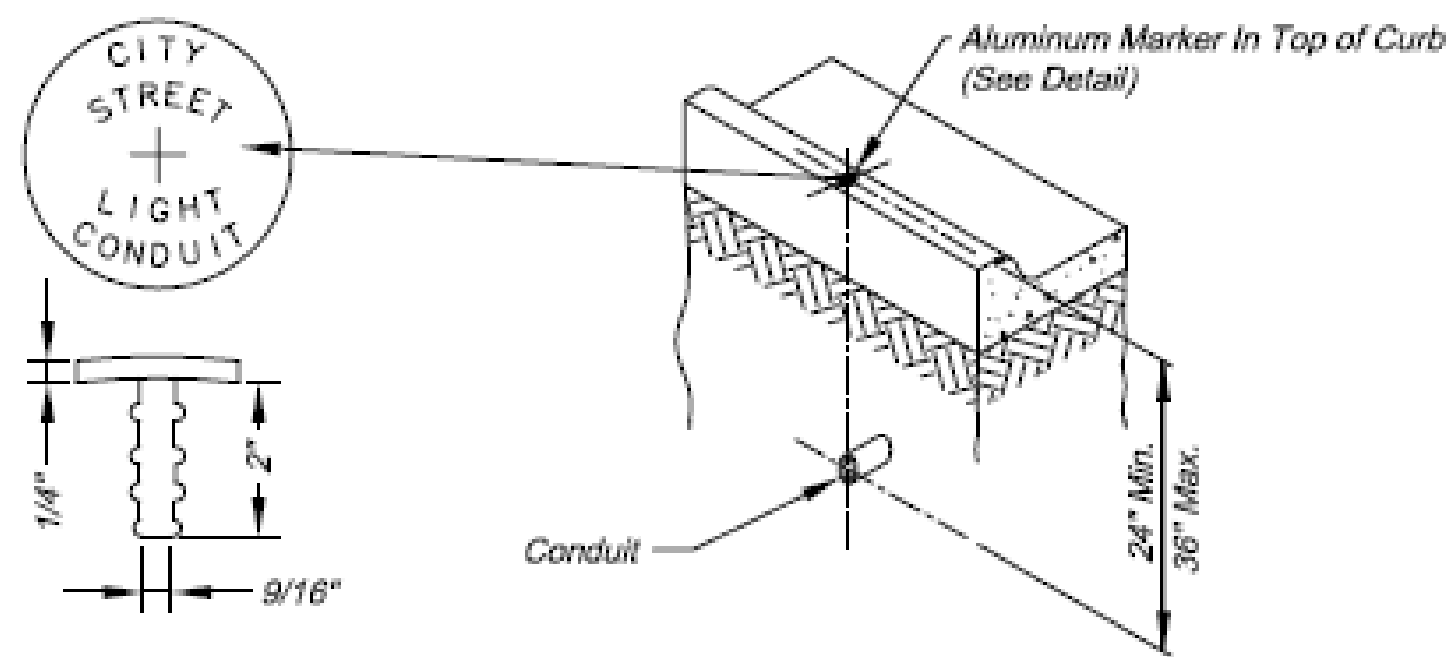
Spring City Fixture provided
by Mountain States Lighting



Luminaire Specifications:
Ht: 43 5/8 inches
W: 17 1/4 inches
Cast Aluminum Alloy
40 or 67 Watt Cree XTE LED System
Color Temp: 4000k
Dimming Driver/Dimming Photocell

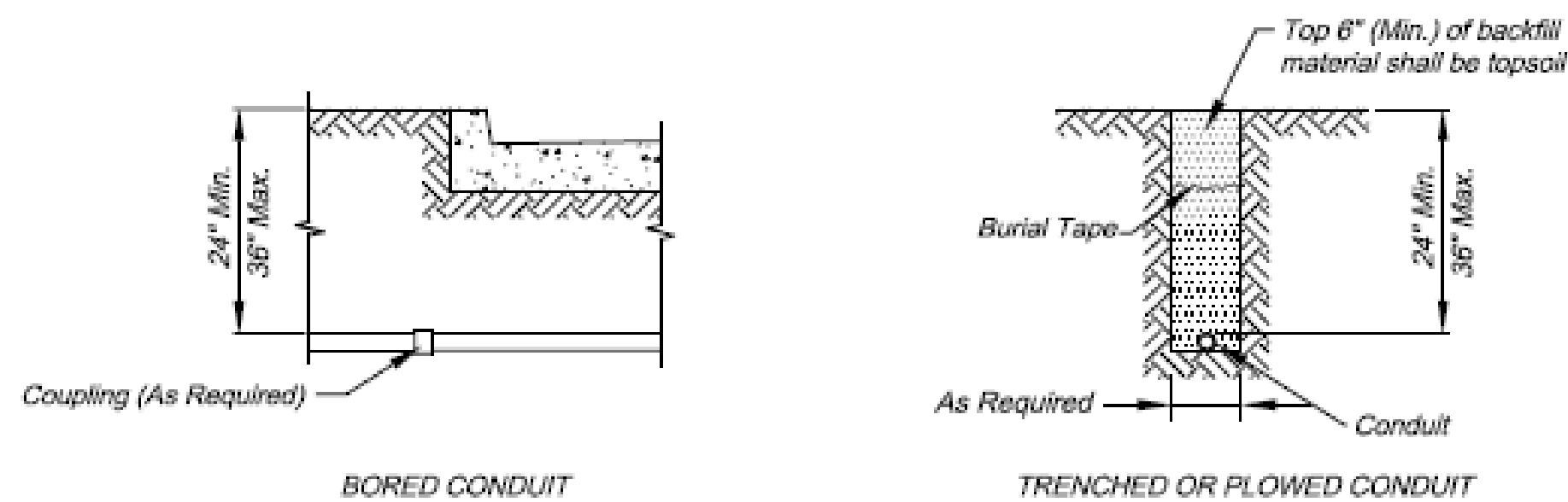


STREET LIGHT POLE IN MEDIAN



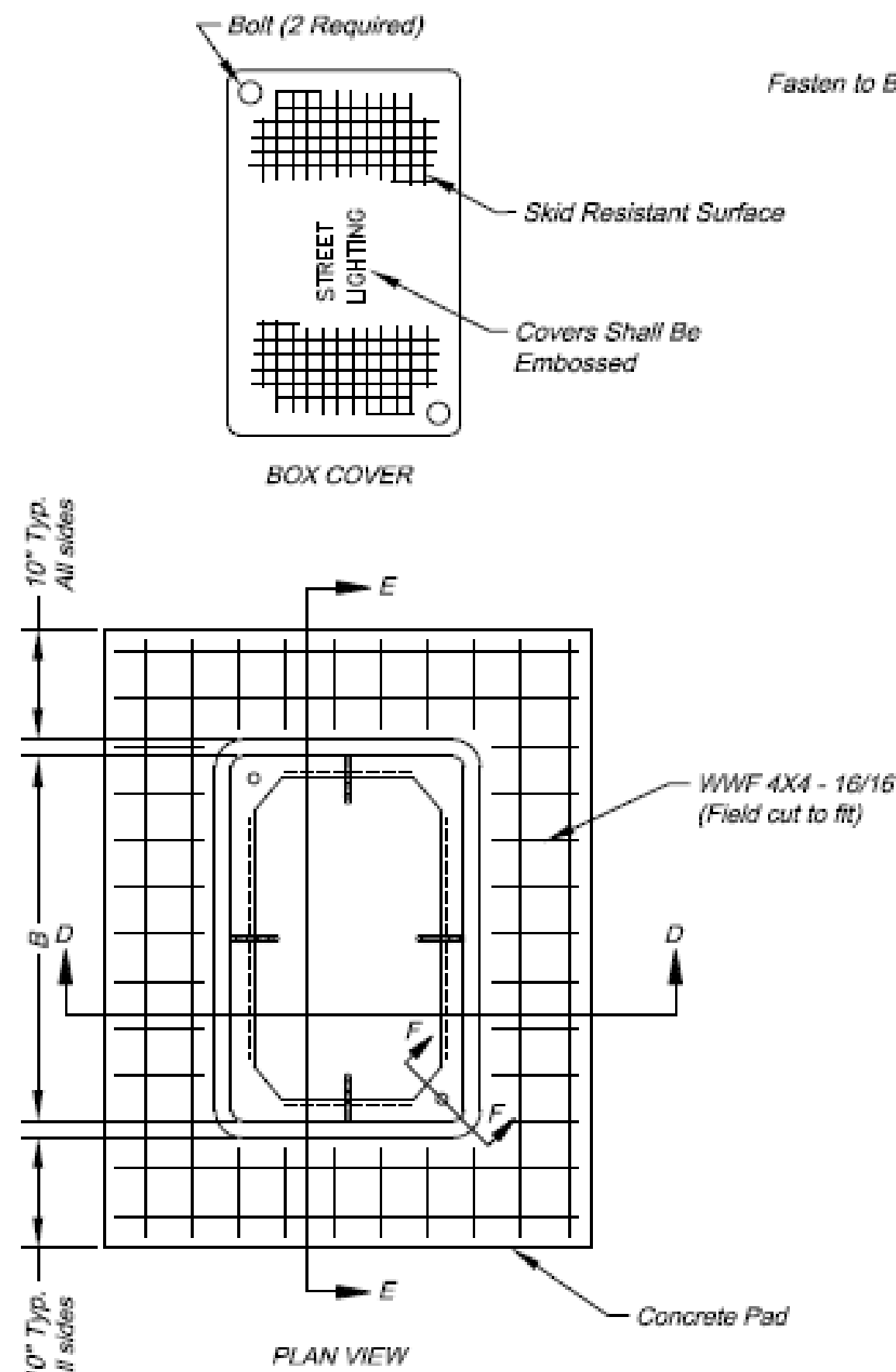
CONDUIT MARKING DETAIL

- NOTES:**
1. An aluminum marker shall be placed in the top of the curb directly over the conduit.
 2. Markers shall be installed by drilling the curb and exposing the marker in place. If installed in a sidewalk or curb ramp, the top of the marker shall be flush with the concrete surface.
 3. No direct payment shall be made for conduit markers; they are subsidiary to the installation of conduit.



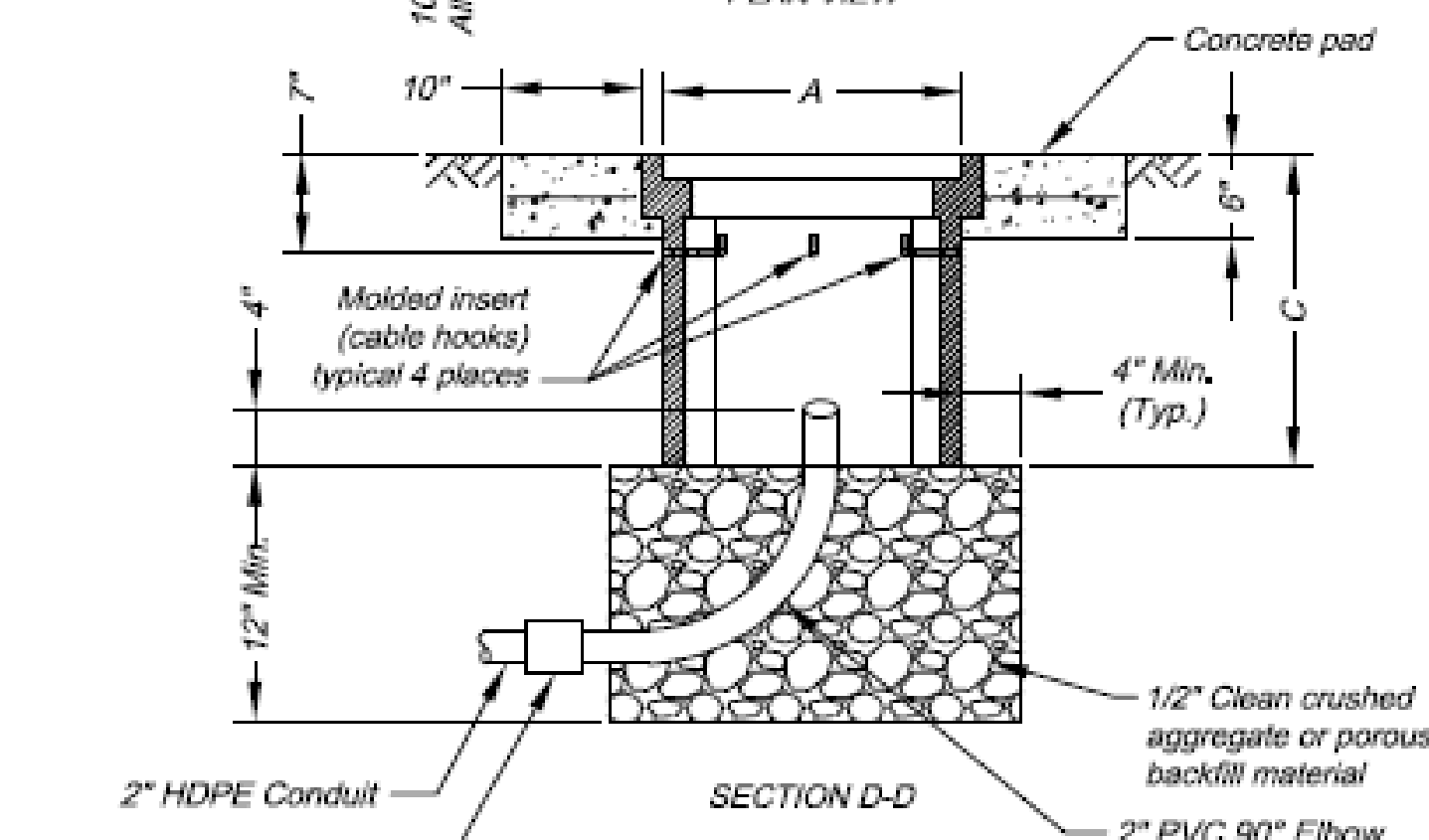
CONDUIT LOCATIONS

- NOTES:**
1. Backfill under paved surfaces shall be flowable fill.
 2. The conduit shall not be covered unless inspected and approved by the City Engineer, so as to ensure proper depth, correct conduit material, and proper conduit end treatment.

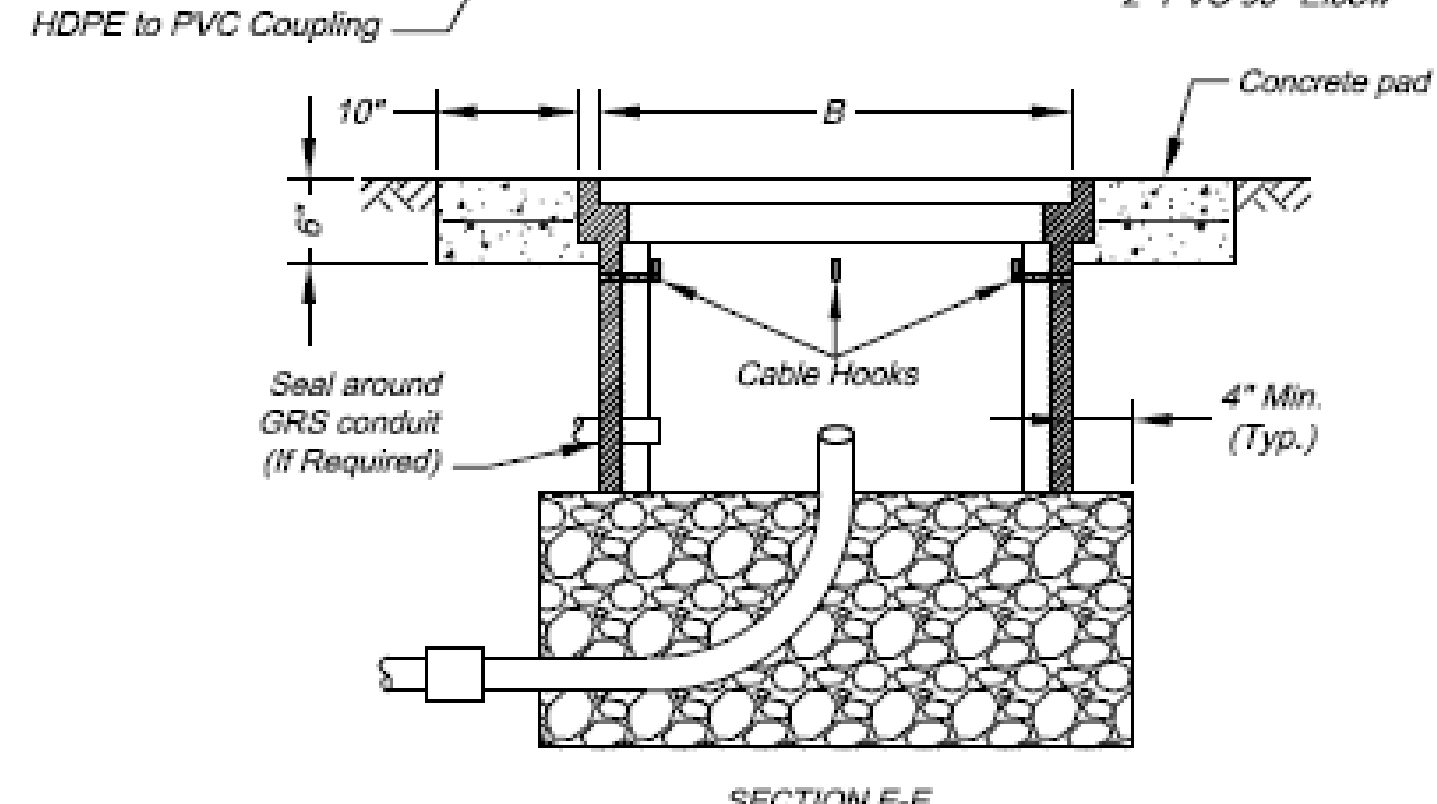


BOX COVER

PLAN VIEW

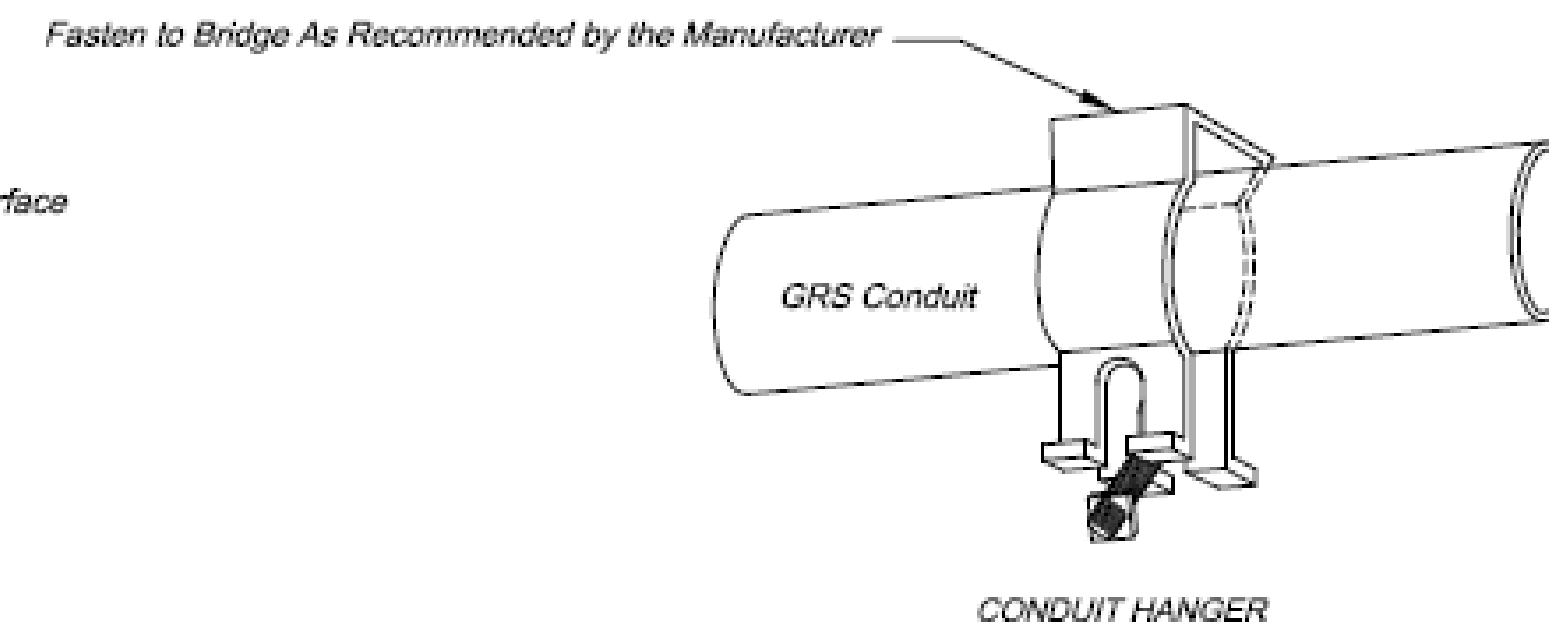


SECTION D-D

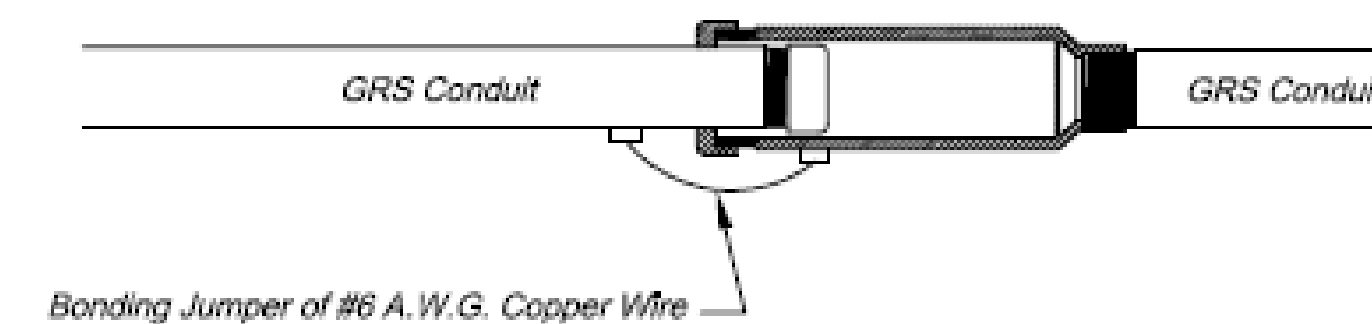


SECTION E-E

PULL OR JUNCTION BOX DETAILS



CONDUIT HANGER



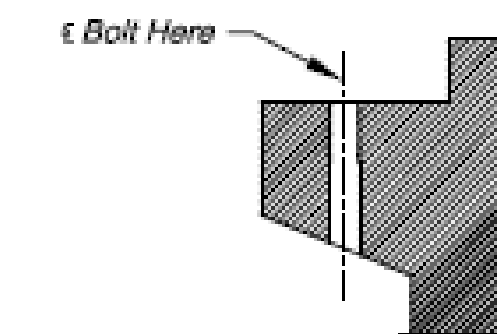
EXPANSION FITTING

GRS CONDUIT DETAILS

- NOTES:**
1. All conduits installed above ground shall be GRS.
 2. Conduit attached to bridges shall have expansion fittings installed at each end of the bridge and at each expansion joint on the bridge.
 3. All GRS conduits shall be electrically bonded by a grounding bushing and ground wire as detailed.
 4. Install the conduit and connector assembly to permit a 1/2" minimum longitudinal travel in either direction.

Number of Entering/Exiting Conduits	Box Type	Minimum Box Dimensions		
		A	B	C
1 - 2	Type 1 Junction Box	12"	12"	12"
3 - 4	Type 2 Junction Box	12"	18"	12"
> 4	Class 1 Pull Box	17"	30"	22"

All dimensions shown are nominal



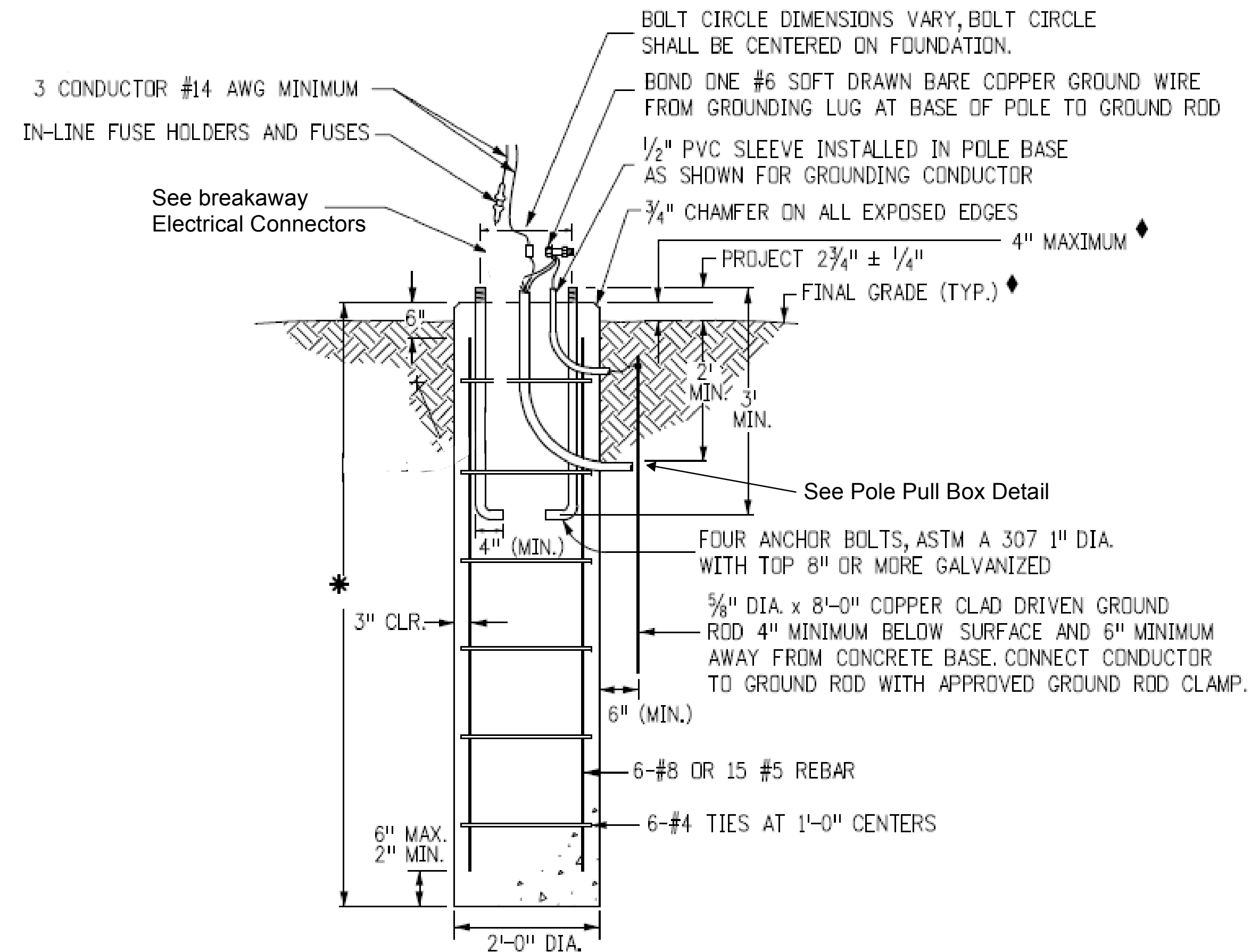
SECTION F-F

- NOTES:**
1. Lift opening required on all covers.
 2. Preformed box walls may be either flared or vertical. The bottom of boxes shall be open to below.
 3. If an extension is used with a preformed box, the lip of the extension may be interior or exterior. The extension shall be compatible and from the same manufacturer.
 4. Cable hooks are to be included with Class 1 Pull Boxes only.
 5. A Class 1 Pull Box shall be installed adjacent to each 4-Circuit Power Supply.

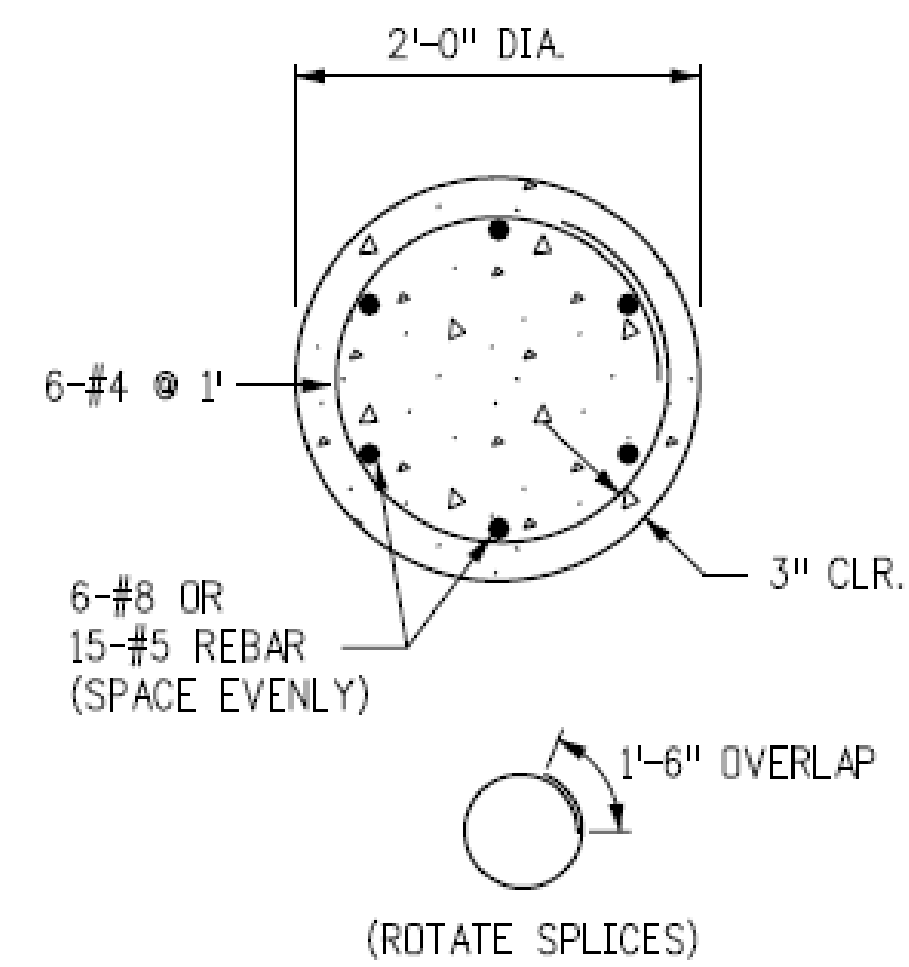
NOTES

1. DIMENSIONS FOR FOLLOWING ITEMS: ANCHOR BASE AND ANCHOR BOLTS ARE VARIABLE FOR THE HEIGHT OF THE LIGHT STANDARD AND THE MAST ARM CONFIGURATION. ALL COMPONENTS SHALL FIT AND ACCOMMODATE THE REQUIREMENTS OF THE LIGHT STANDARD SUPPLIED.
- * 2. FOUNDATION SHALL BE 7 FT. FOR LIGHT STANDARDS 20 FT. THRU 40 FT., AND 6 FT. FOR LIGHT STANDARDS LESS THAN 20 FT.
3. LIGHT STANDARD FOUNDATION DEPTH IS BASED ON A MAXIMUM POLE HEIGHT OF 40 FT. IN STIFF CLAY WITH N > 8 OR MEDIUM SAND WITH N > 15 AS DETERMINED BY ASTM D 1586 STANDARD PENETRATION TEST.
4. CONCRETE SHALL BE CLASS B.
5. FOUNDATIONS FOR LIGHT STANDARDS HIGHER THAN 40 FT. OR LIGHT STANDARDS WITH MULTIPLE LUMINAIRES OR BANNERS, OR VARYING SOIL OR WIND CONDITIONS, SHALL BE DESIGNED BY THE CONTRACTOR'S ENGINEER AND SHOWN ON THE PLANS.

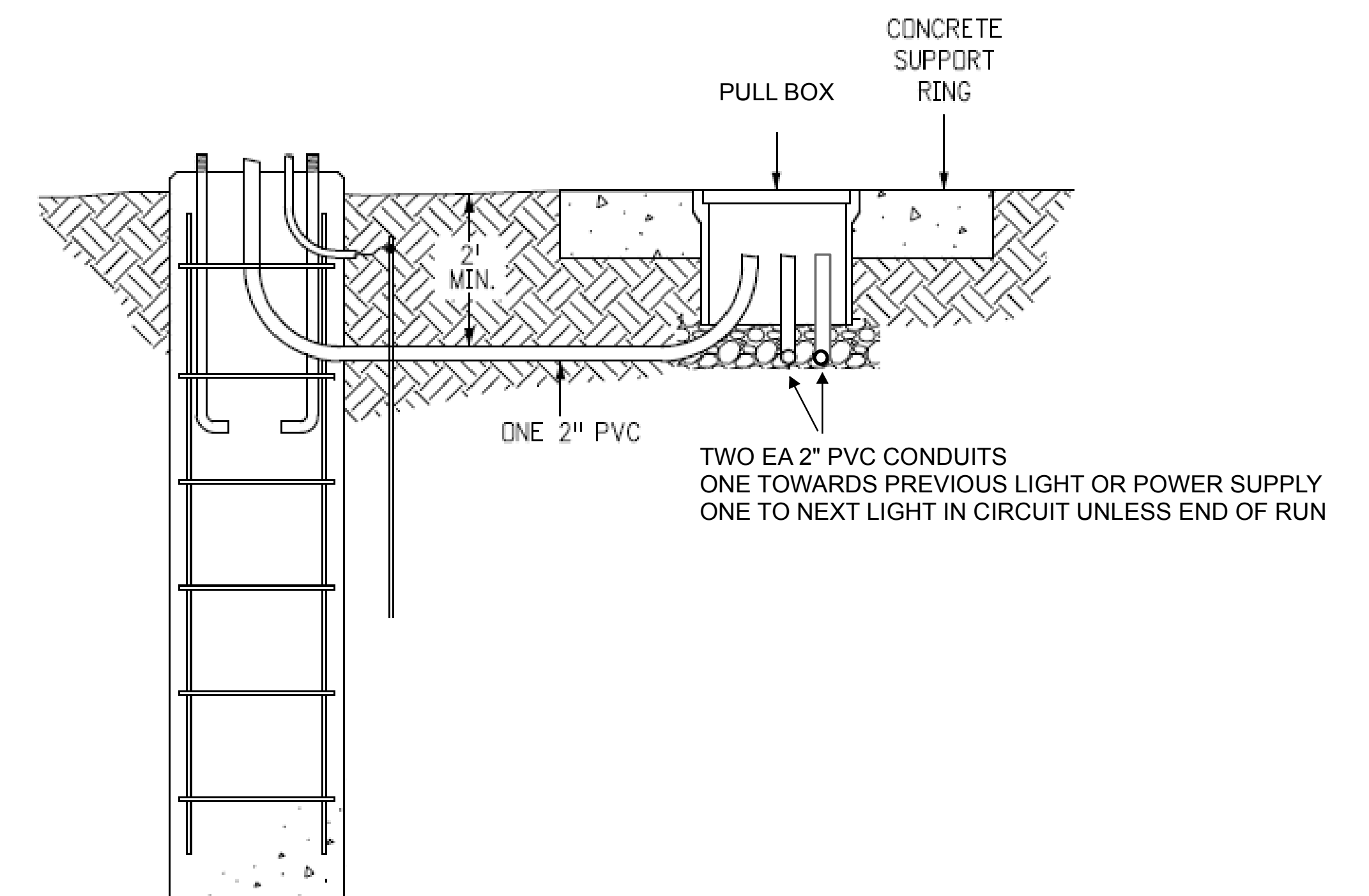
◆ WHERE FOUNDATION IS LOCATED IN THE SIDEWALK, THE TOP OF THE FOUNDATION SHALL BE FLUSH WITH THE TOP OF THE SIDEWALK CONFORMING TO ADA REQUIREMENTS.



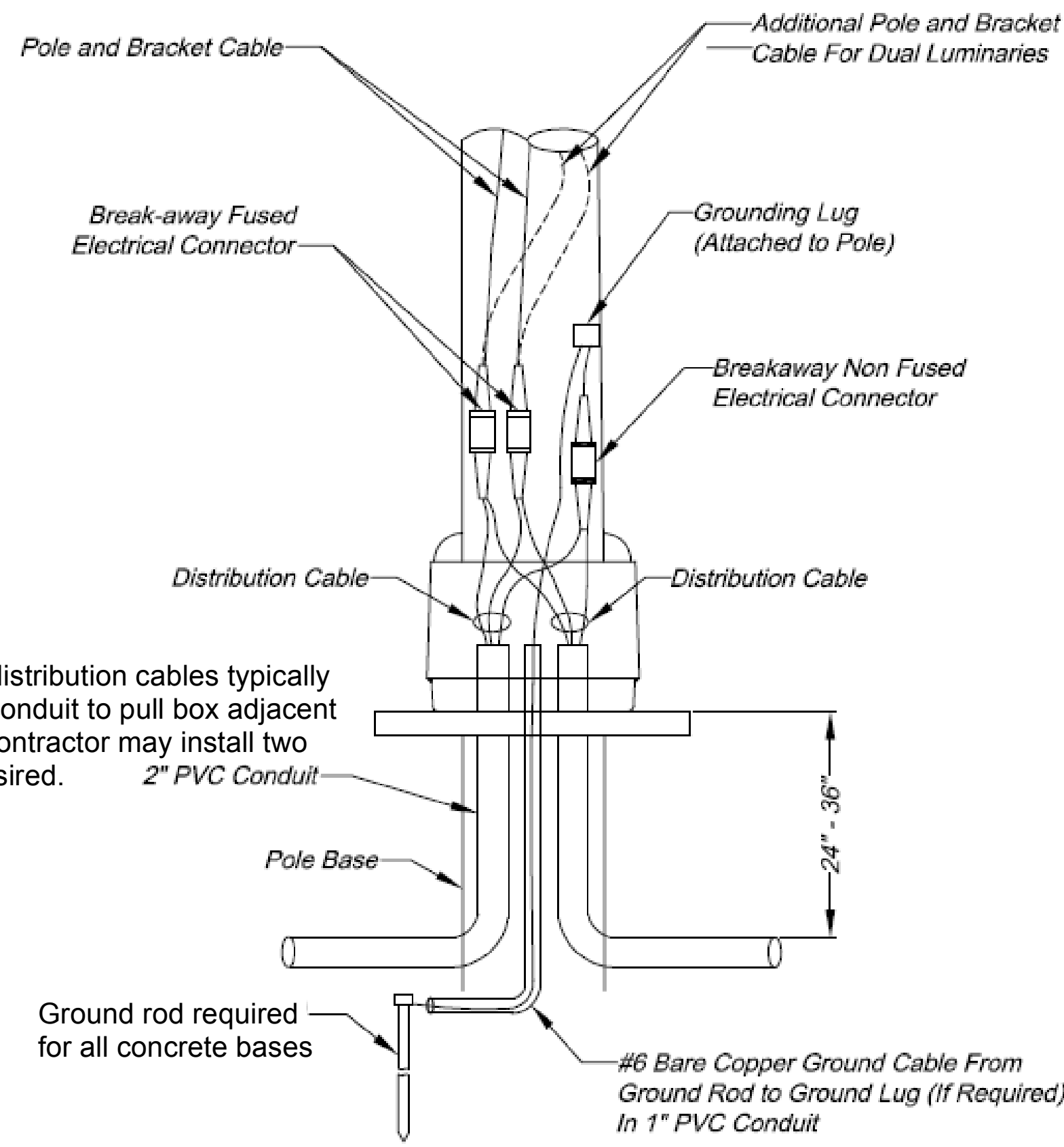
TYPICAL CONCRETE LIGHT STANDARD FOUNDATION



TYPICAL FOUNDATION SECTION

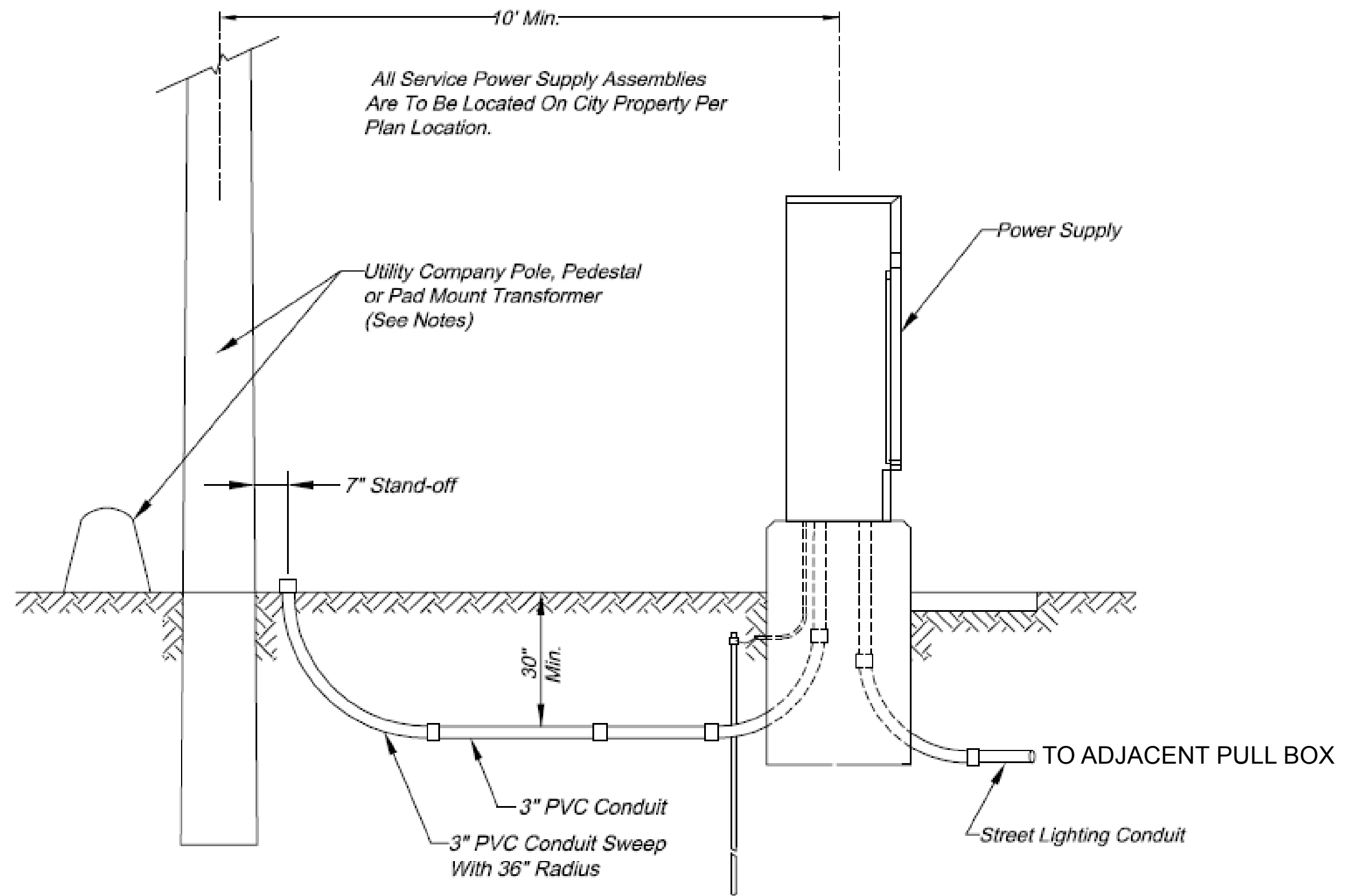


PULL BOX REQUIRED AT EACH POLE



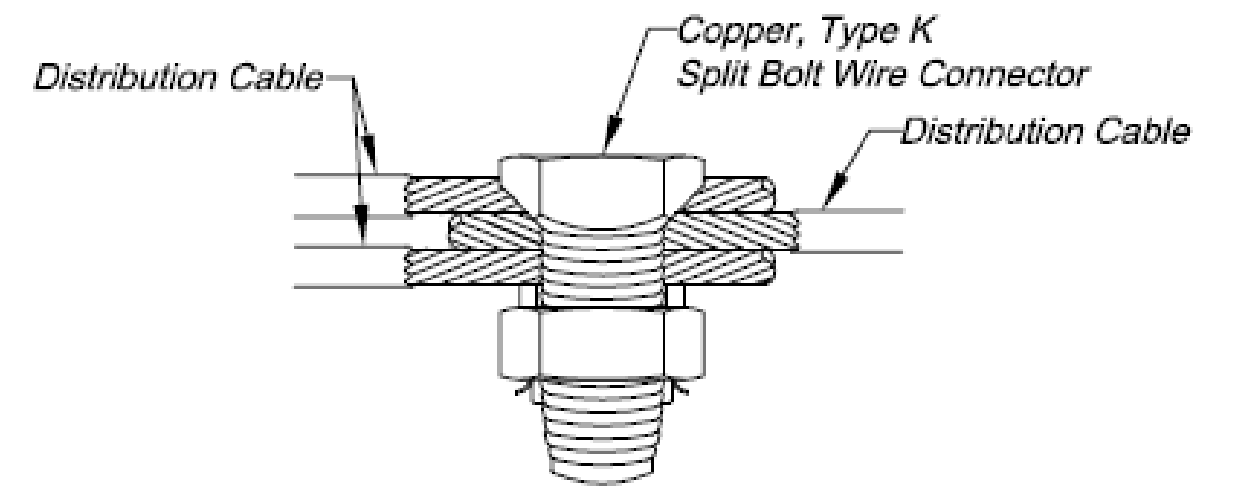
NOTE: Both distribution cables typically use a single conduit to pull box adjacent to the pole. Contractor may install two conduits if desired.

POLE WIRING DETAILS



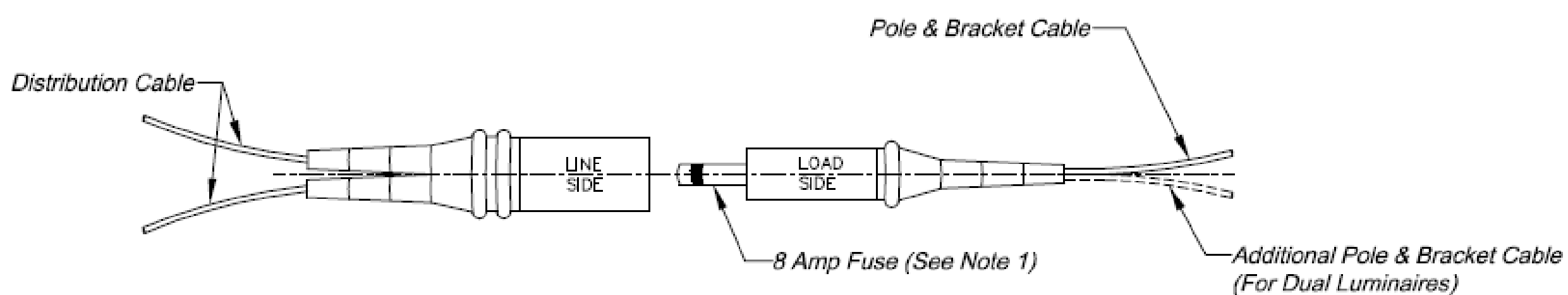
SECONDARY SERVICE CONNECTION DETAILS

NOTES:
 1. Contractor shall install a conduit stub 24" to 6" above ground at utility poles. Conduit shall be stubbed to the side of the pole that will allow a direct run up the pole to the transformer without crossing other utility lines or cables. The end of the conduit shall be capped.
 2. Contractor shall install conduit in a trench to within 24" of pedestals or pad mount transformers and leave a 36" x 36" x 36" access hole in the ground. Contractor shall keep open trench covered and promptly backfill access hole when service is completed.

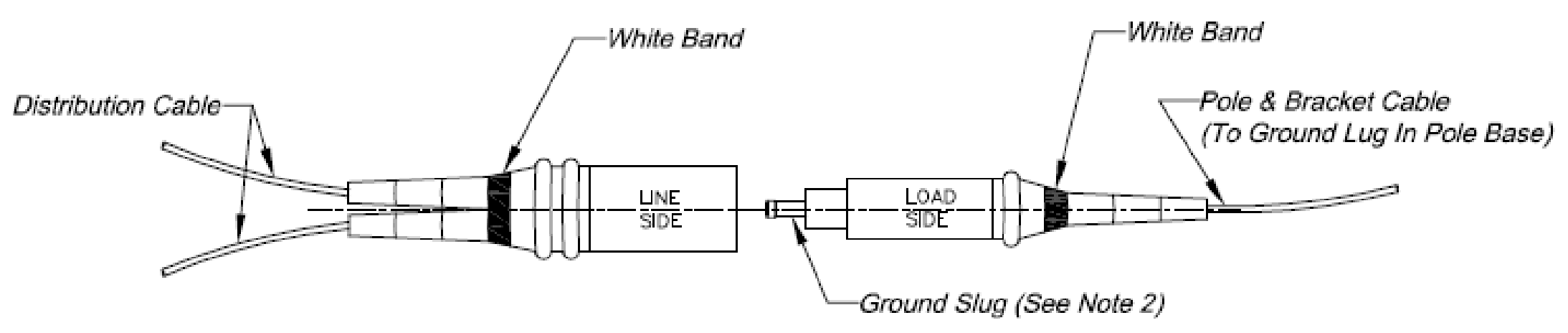


SPLICE KIT DETAILS

NOTES:
 1. To be used only in junction or pull boxes where circuits branch or "tee".
 2. All splices shall be protected with a resin splice kit (not shown) installed in accordance with the manufacturer's recommendations.

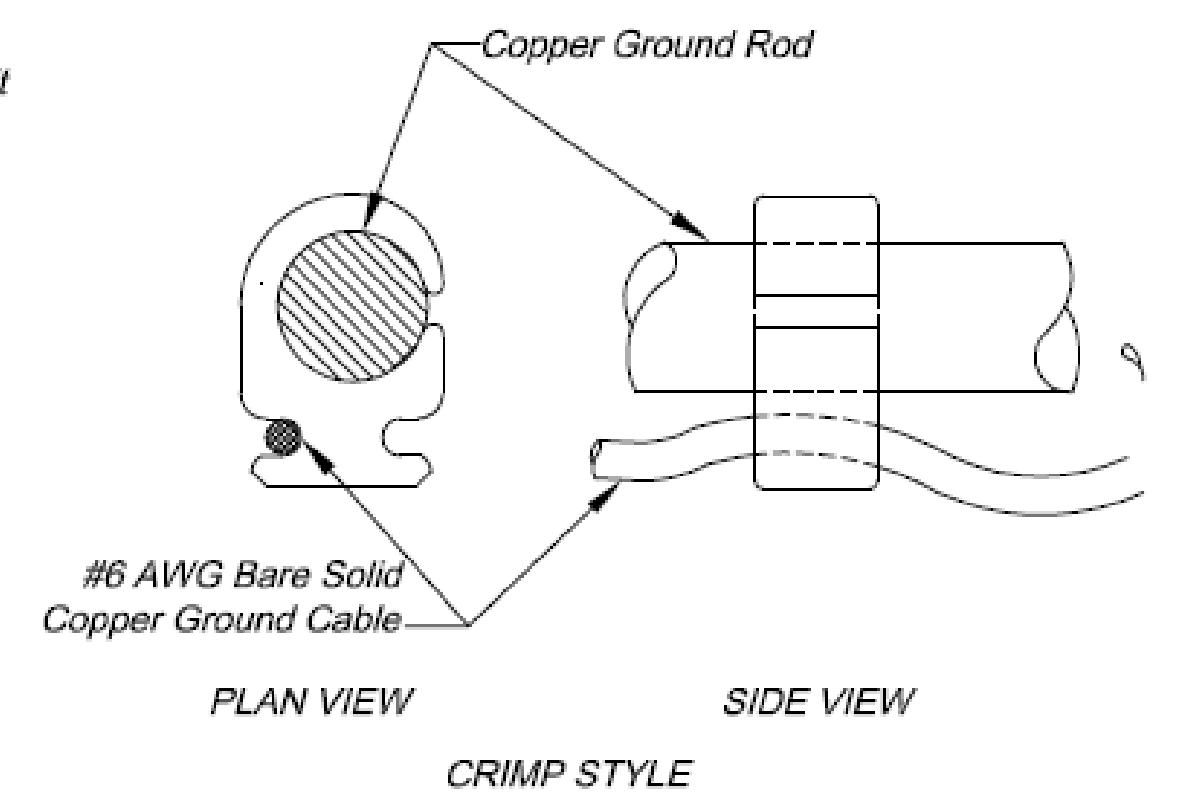
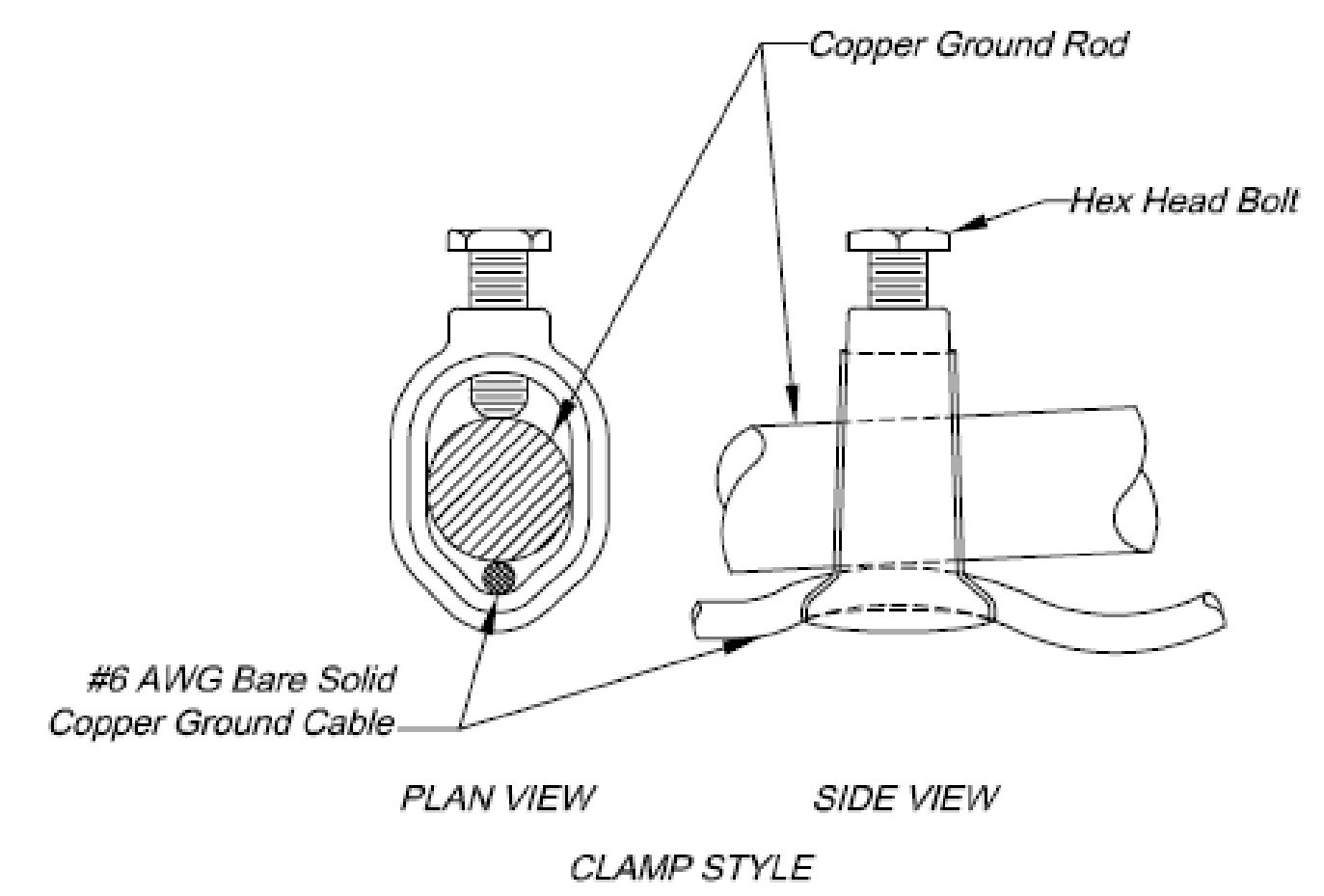


BREAK-AWAY FUSED ELECTRICAL CONNECTORS

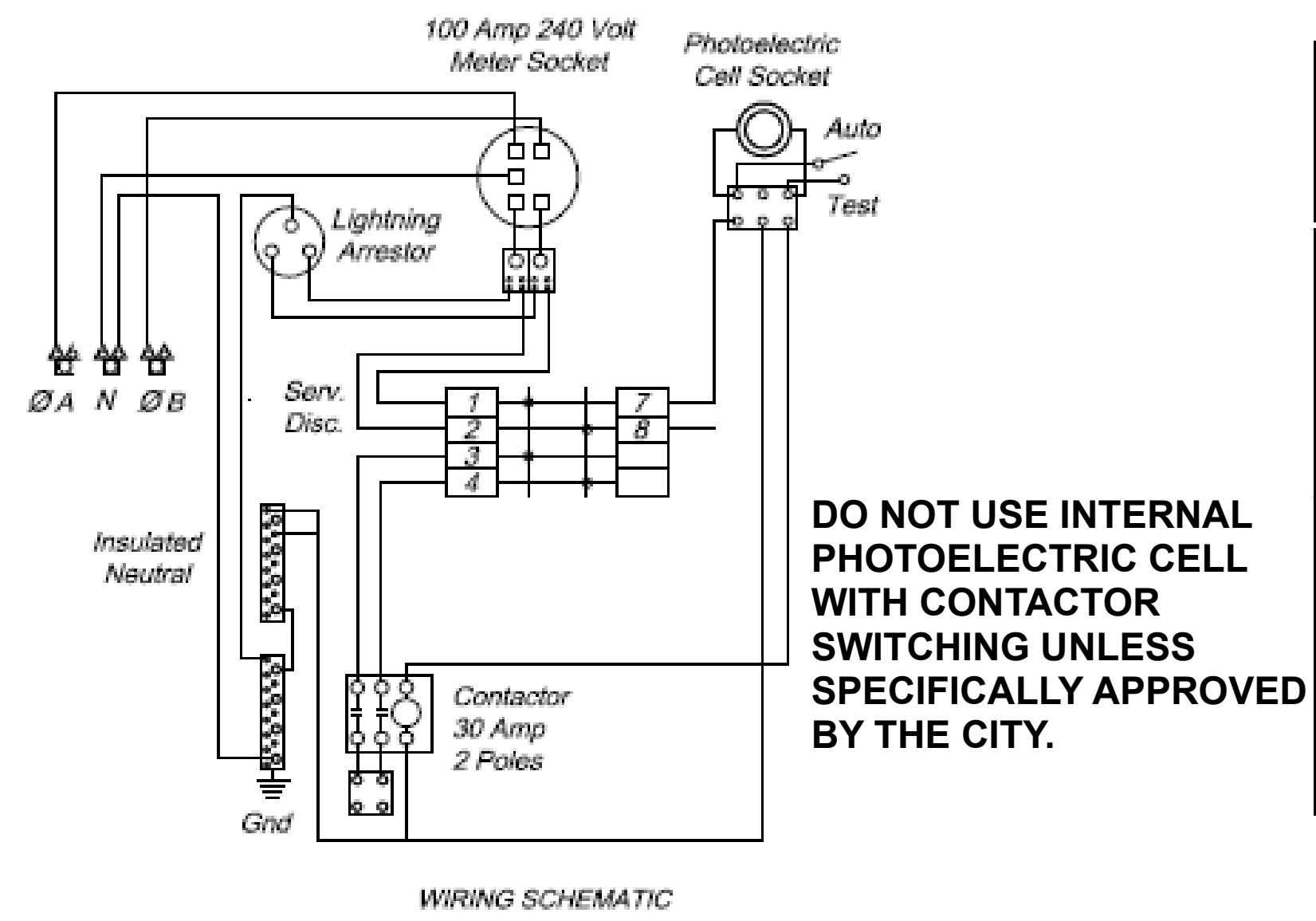


BREAK-AWAY NON FUSED ELECTRICAL CONNECTOR

NOTES:
 1. Fuse remains in "Load Side" after break-away.
 2. Ground "Slug" remains in "Load Side" after break-away.
 3. Connectors shall have set screw type terminals to attach cables.

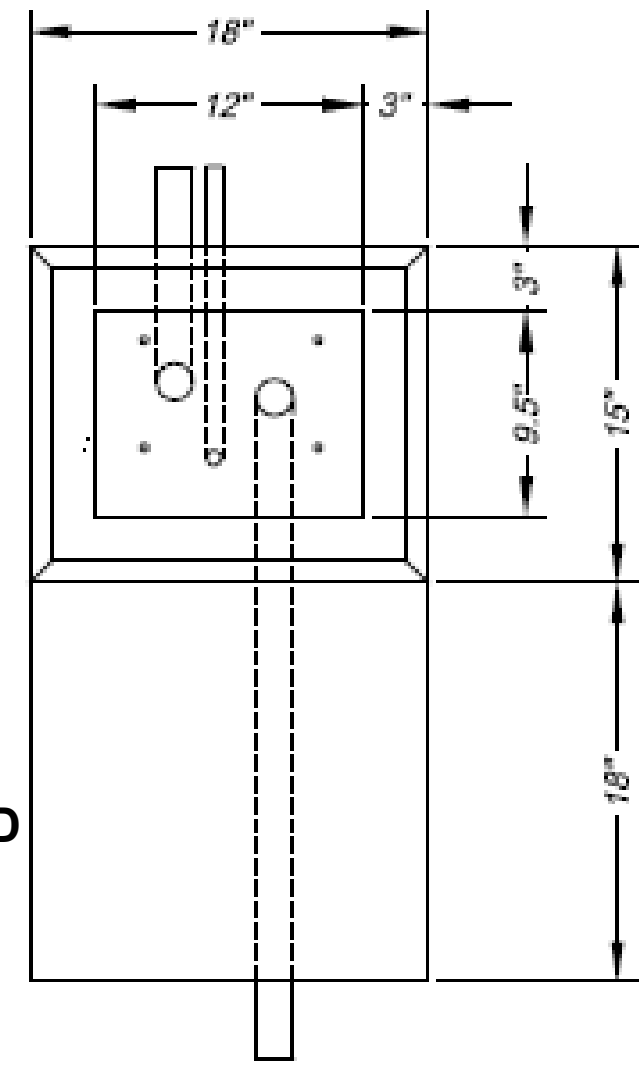


GROUND ROD CONNECTION DETAILS



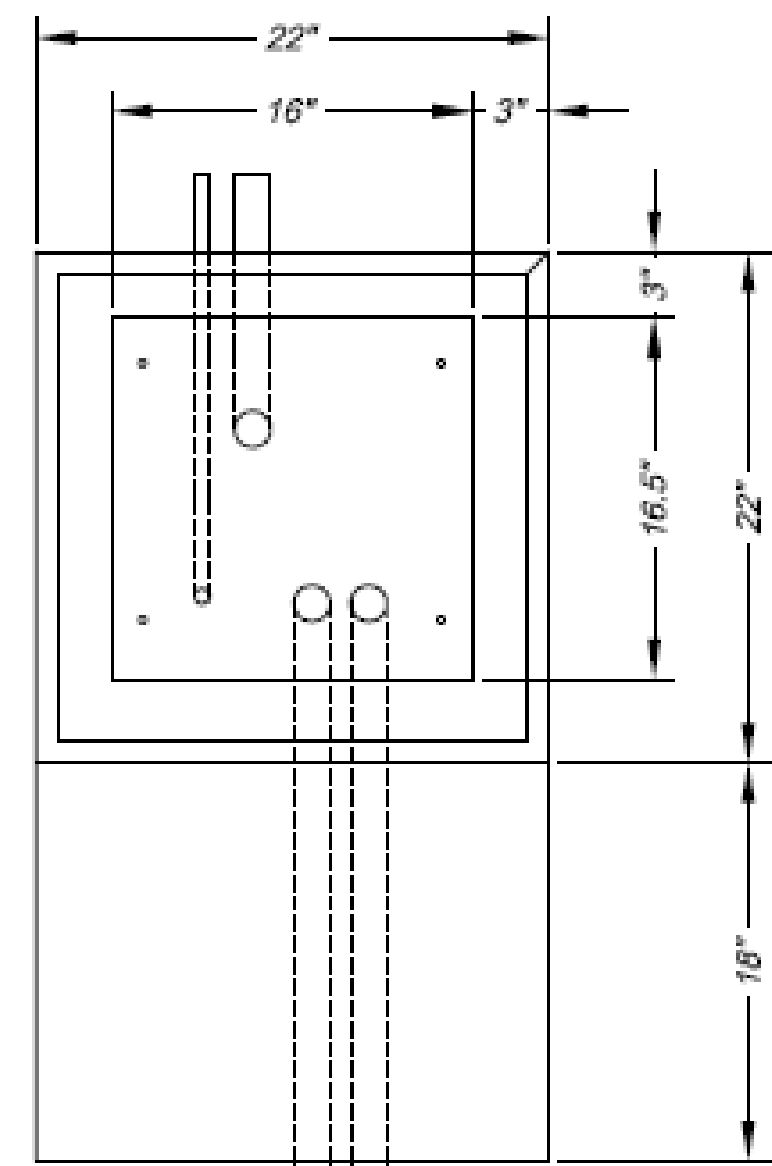
WIRING SCHEMATIC

DO NOT USE INTERNAL PHOTOELECTRIC CELL WITH CONTACTOR SWITCHING UNLESS SPECIFICALLY APPROVED BY THE CITY.



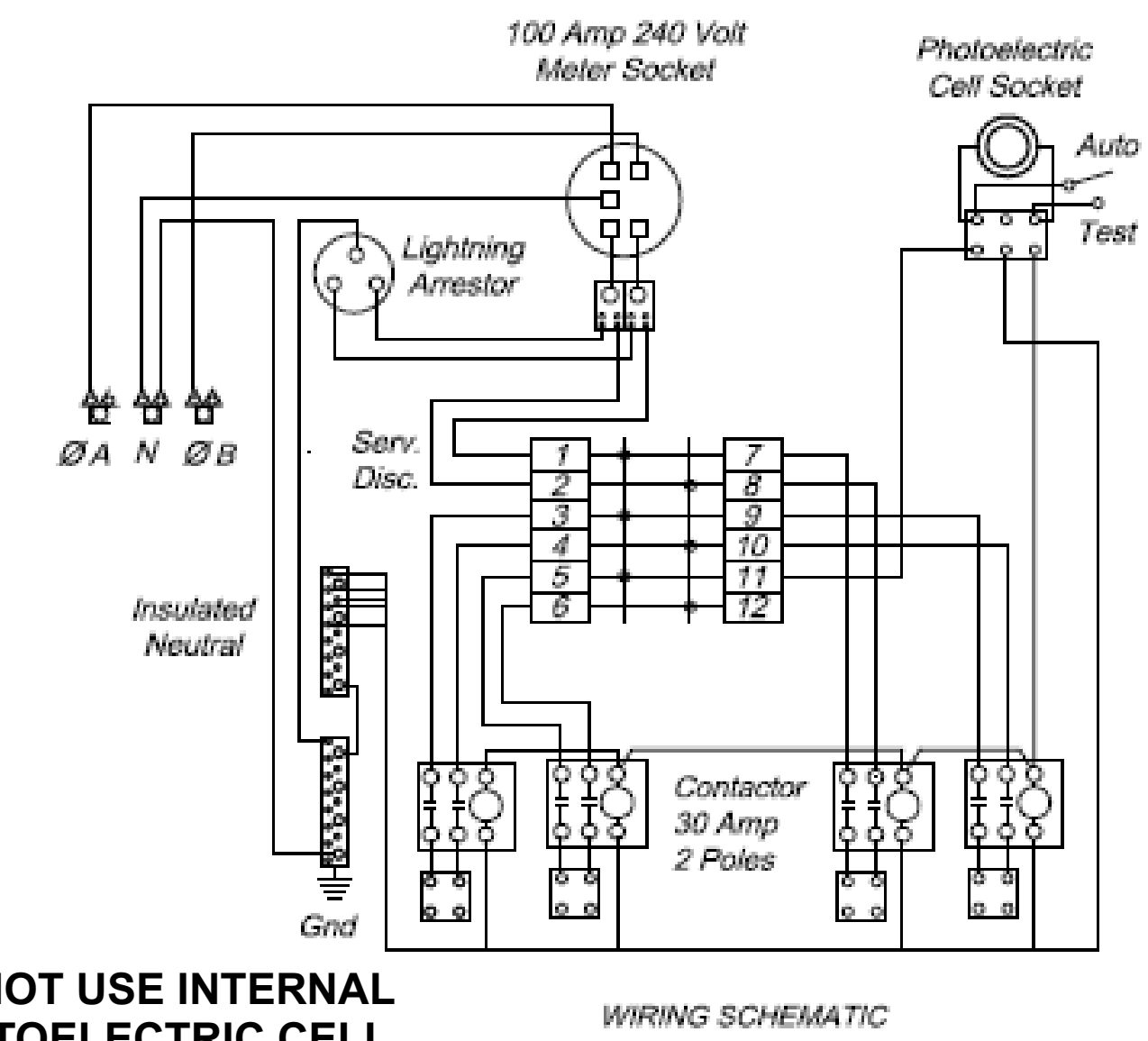
PLAN VIEW

FUSED CONTACTORS ARE NOT PERMITTED

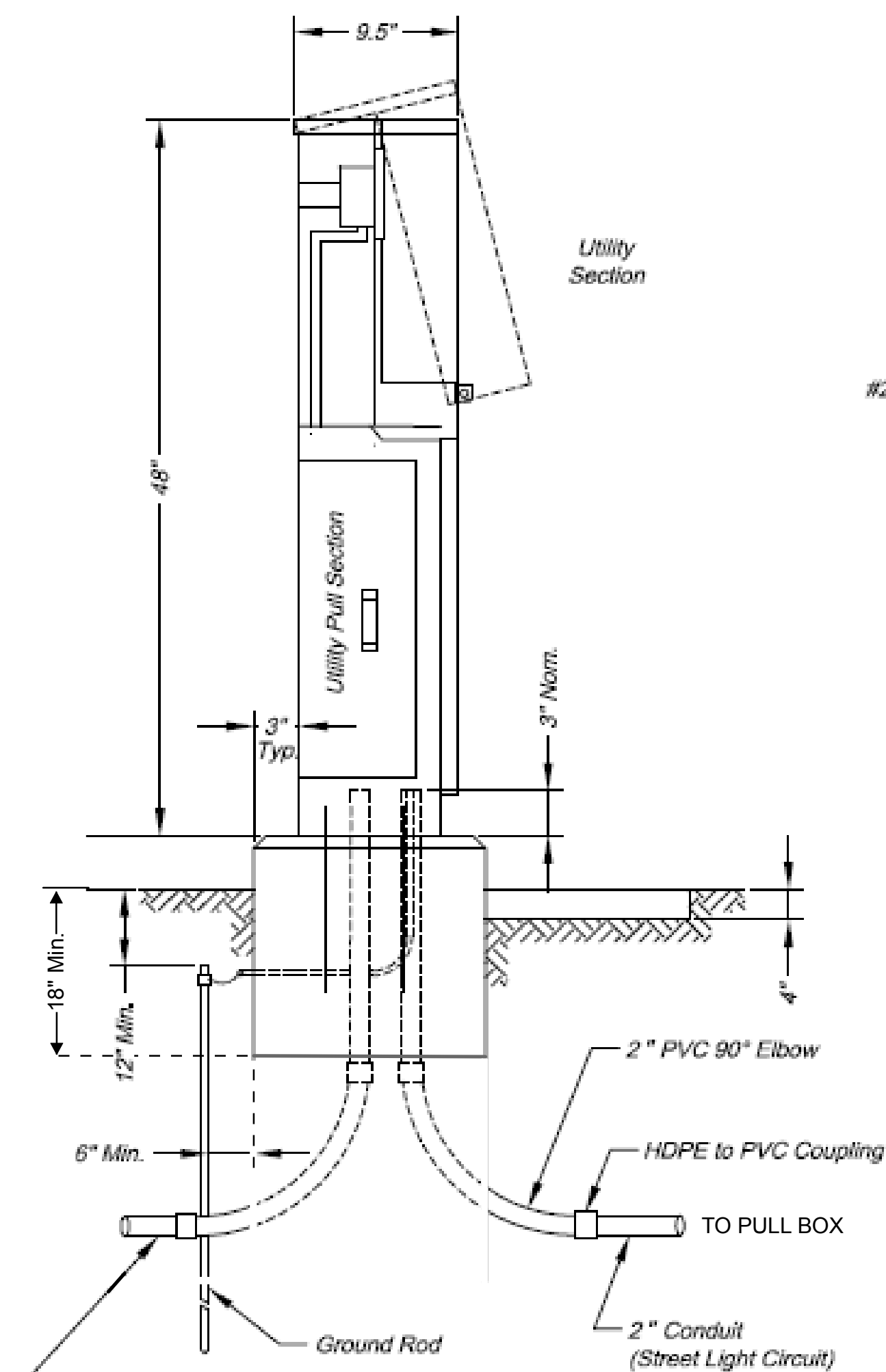


PLAN VIEW

DO NOT USE INTERNAL PHOTOELECTRIC CELL WITH CONTACTOR SWITCHING UNLESS SPECIFICALLY APPROVED BY THE CITY.

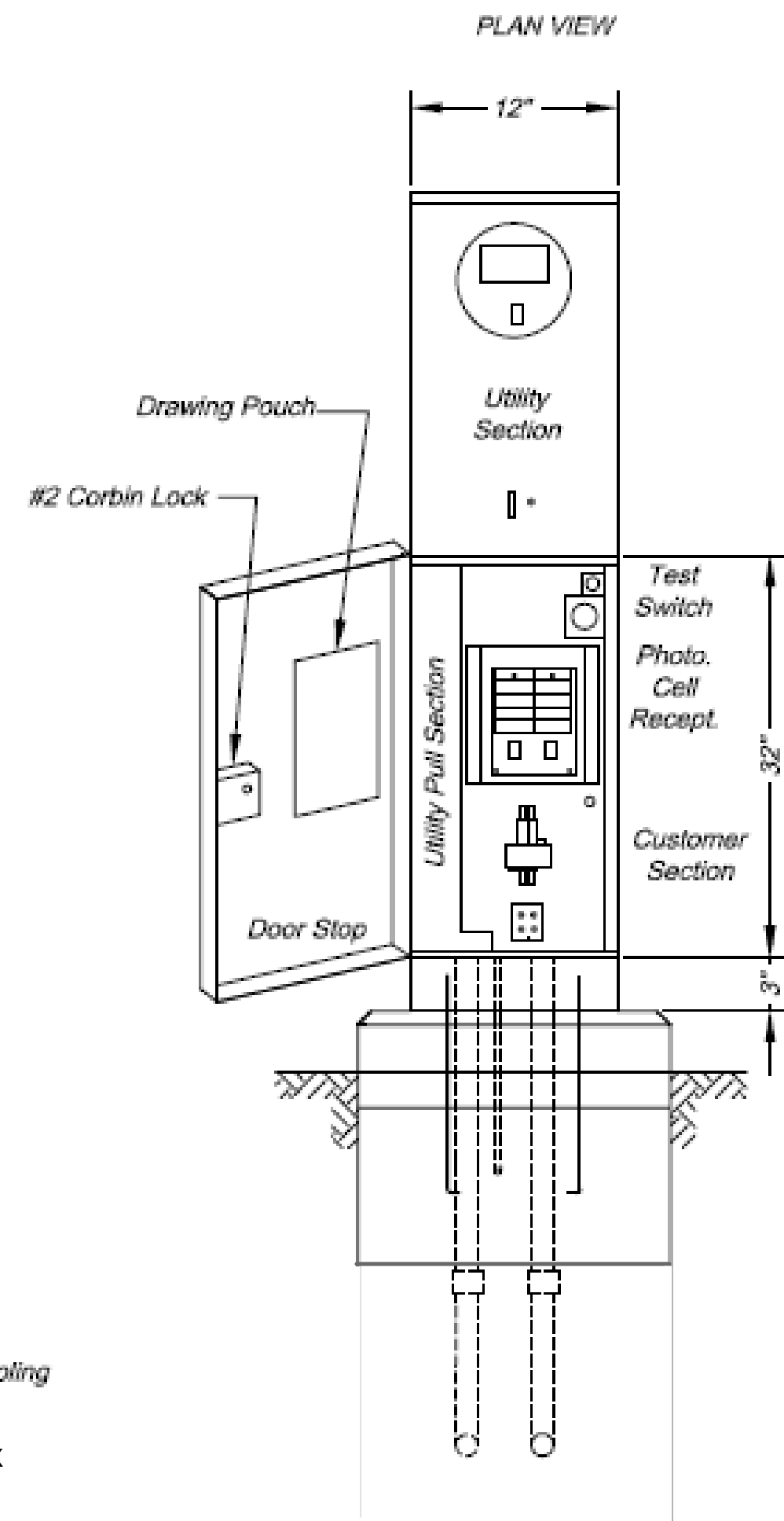


WIRING SCHEMATIC



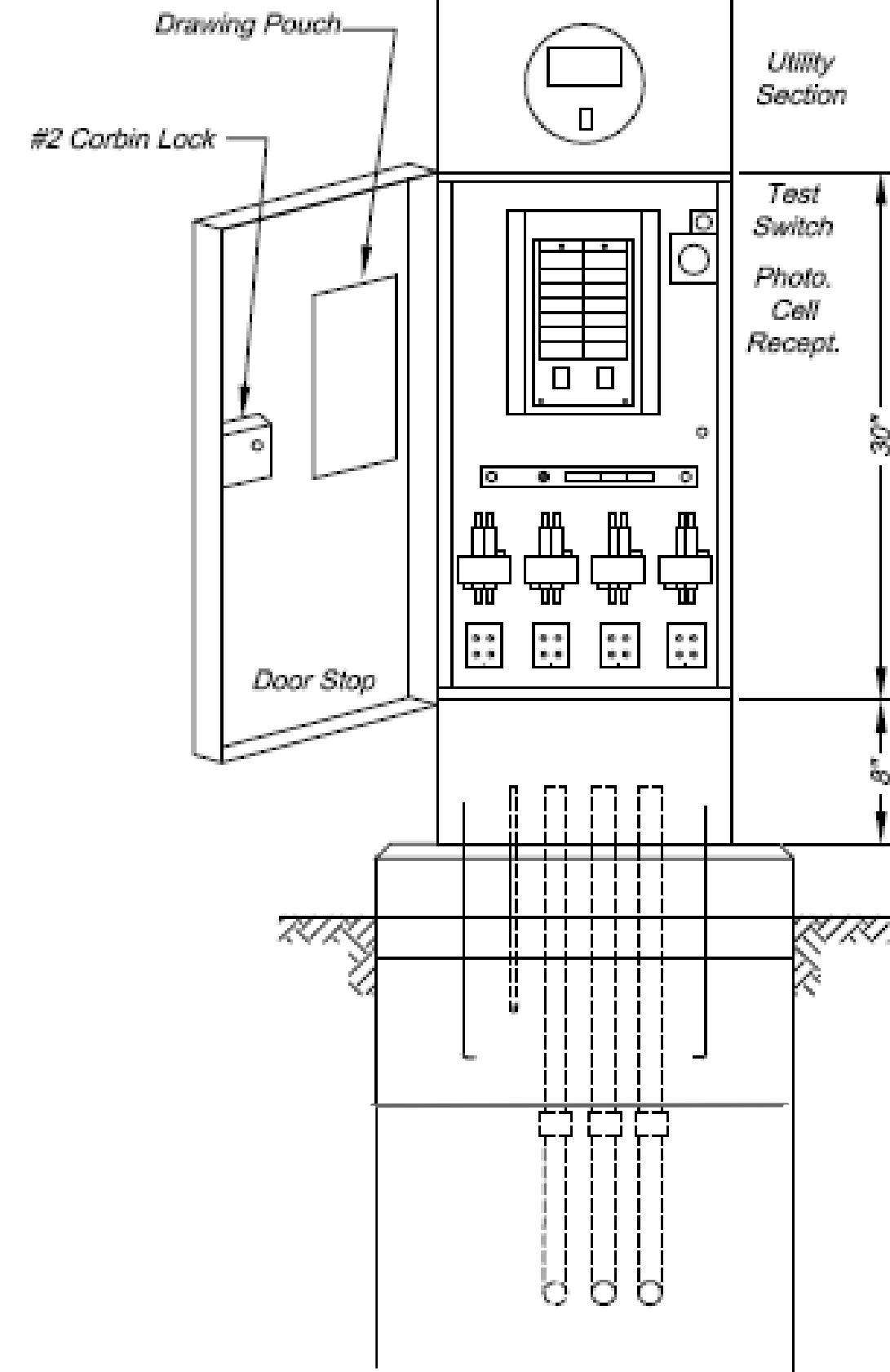
LEFT SIDE VIEW

1 - CIRCUIT POWER SUPPLY



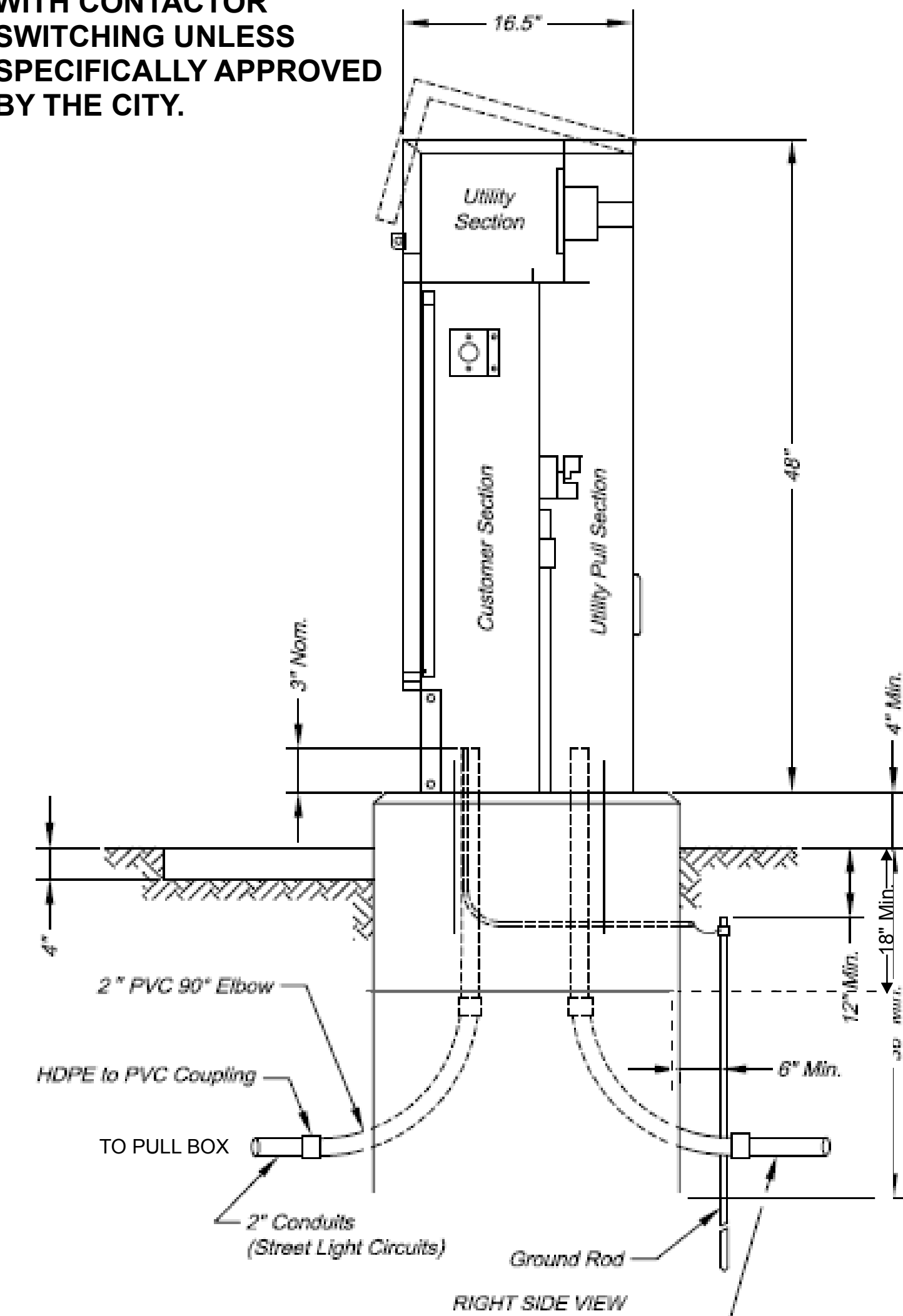
FRONT VIEW

- NOTES:
1. If used, photoelectric cell to be oriented to the north or east.
 2. Seal around joint between cabinet and base with lifetime silicone caulk.
 3. All exposed edges of the base shall have a 1" chamfer.



FRONT VIEW

4 - CIRCUIT POWER SUPPLY
8 - CIRCUIT POWER SUPPLY CABINET SIMILAR.



RIGHT SIDE VIEW

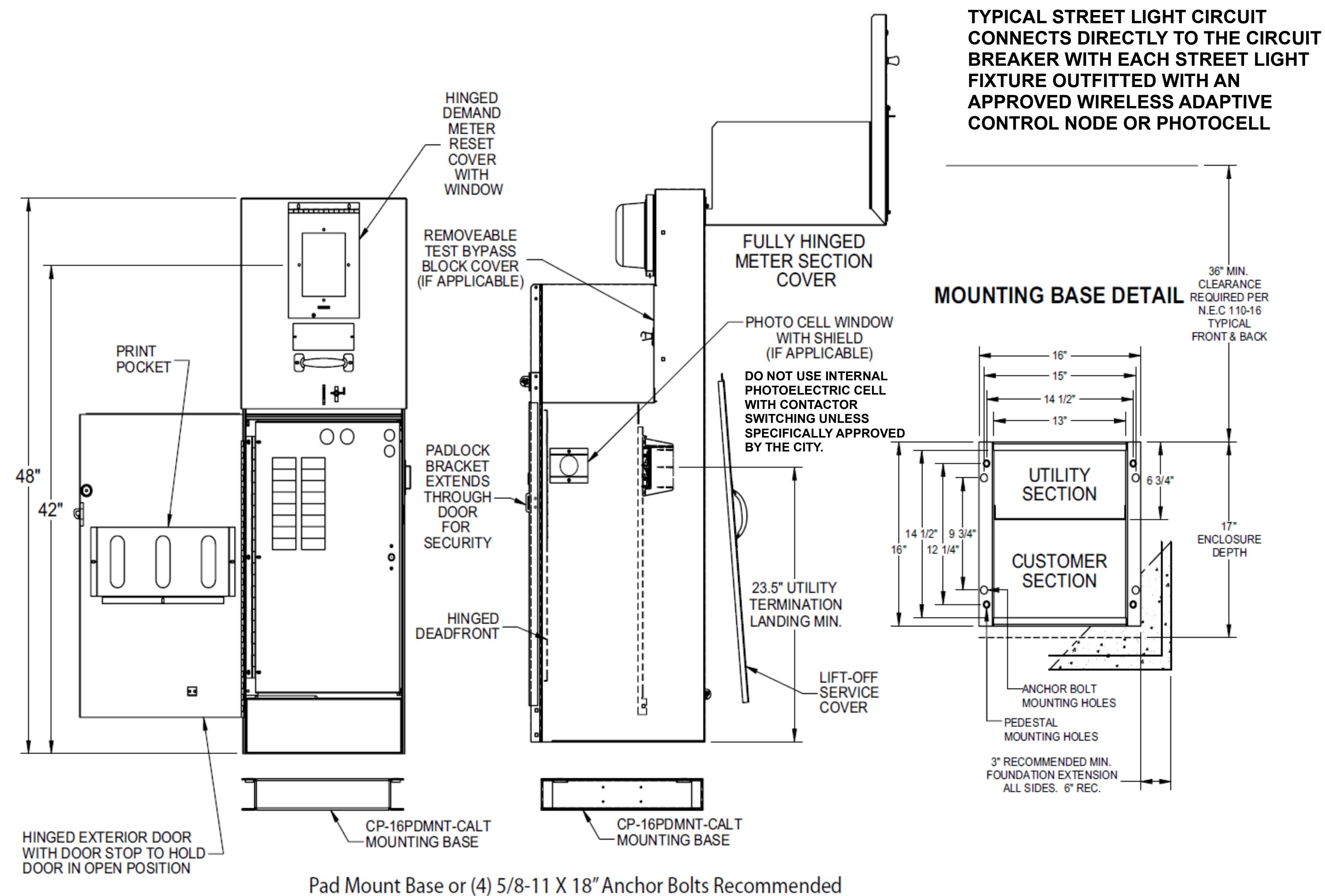
TYPICAL STREET LIGHT CIRCUIT CONNECTS DIRECTLY TO THE CIRCUIT BREAKER WITH EACH STREET LIGHT FIXTURE OUTFITTED WITH AN APPROVED WIRELESS ADAPTIVE CONTROL NODE OR PHOTOCCELL

APPROVED POWER SUPPLY

MILBANK CP3B MAIN LOAD SERIES

ENSURE SUPPLIED CABINET MEETS ALL OF
XCEL ENERGY CURRENT REQUIREMENTS

"A" Style 16" Metered Commercial Pedestal



Westminster Lighting Details
Approved Power Supply

Drawings by Others Sheet 11 of 11